



REPOWER ENGINE SPECIFICATIONS



ENGINES MATTER
THEPOWERPORTAL.COM

RE-POWERING GUIDELINES

If replacing a Briggs & Stratton® engine with another Briggs & Stratton engine, use the original engine's model and type numbers to assure the correct replacement. If replacing a competitor's engine with a Briggs & Stratton engine, let the engine size and features of the original engine, plus the expected work cycle, guide you in selecting the correct replacement. Also consider these factors:

1. ENGINE SELECTION

Match the engine's performance and cost to your specific application to get the optimum performance at an affordable price. That means better value for you.

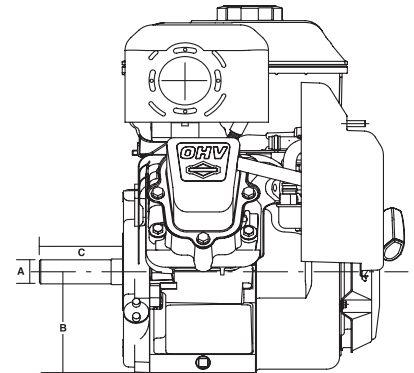
- **Vanguard™ OHV** (overhead valve) engines are maximum performance, cast iron sleeved engines.
 - select for continuous heavy duty applications.
- **Professional Series™, Commercial Series** (Industrial/Commercial) engines are cast iron sleeved.
 - select for medium duty commercial, industrial and rental use.
- **Intek™ and Powerbuilt™** engines are aluminum cylinder bore OHV engines.
 - select for general consumer use.
- **Standard** engines are aluminum cylinder bore, side valve engines.
 - select for general consumer use.

2. ENGINE INSTALLATION

It is important to maintain the original engine's size, starter type and position, fuel tank location, fuel line routing, muffler location, exhaust direction and muffler accessories (i.e., deflector, spark arrester, etc.). Reinstall all guards, shields and safety devices. Replace missing, worn or damaged parts.

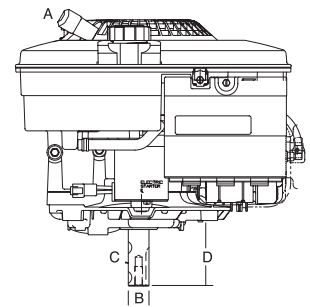
3. HORIZONTAL CRANKSHAFT ENGINES

- Compare the overall engine size to avoid possible mounting interference
- Match the crankshaft
 - A - Diameter
 - B - Height (distance from base to crankshaft center line)
 - C - Length (distance from oil seal/cover's mounting face to end of crankshaft)
- Match the crankshaft type, i.e., keyway, tapered or threaded
- Match the crankcase cover's tapped holes for mounting accessories (if applicable)
- Match the base mounting dimensions and bolt hole spacing



4. VERTICAL CRANKSHAFT ENGINES

- Compare the overall engine size to avoid possible mounting interference
- Match the crankshaft
 - A - Starter grip position
 - B - Diameter
 - C - Keyway type
 - D - Length (distance from mounting face of sump - not oil seal - to end of crankshaft)
- Match the mounting base dimensions and bolt hole spacing



WARNING: Briggs & Stratton® engines are not designed for and are not to be used to power: fun-karts; go-karts; children's, recreational, or sport all-terrain vehicles (ATVs); motorbikes; hovercraft; aircraft products; or vehicles used in competitive events not sanctioned by Briggs & Stratton. For information about competitive racing products, see www.briggsracing.com. For use with utility and side-by-side ATVs, please contact Briggs & Stratton Engine Application Center, 1-866-927-3349. Improper engine application may result in serious injury or death.

TABLE OF CONTENTS

Specifications of Service Engines	4
Your Key to the World's Finest Engines	4
Emission Warranty Policy	65-67

VERTICAL MODELS

5.50 Gross Torque*	5
6.25 Gross Torque*	6
7.25 Gross Torque*	7
6.75 Gross Torque*	8
6.75 Gross Torque*	9
7.25 Gross Torque*	10
Professional Series™ 8.50 Gross Torque*	11
Professional Series™ 8.75 Gross Torque*	12
Professional Series™ 9.50 Gross Torque*	13
Professional Series™ 10.00 Gross Torque*	14
Intek™ 10.5 Gross HP†	15
Intek™ 11.5 Gross HP†	16
Intek™ 17.5 Gross HP†	17
Professional Series™ 17.5 Gross HP†	18
Intek™ 19.0 Gross HP†	19
Professional Series™ 19.0 Gross HP†	20
Intek™ 24.0 Gross HP†	21
Professional Series™ 24.0 Gross HP†	22
Professional Series™ 25.0 Gross HP†	23
Commercial Series 24.0 Gross HP†	24
Commercial Series 25.0 Gross HP†	25
Professional Series™ 27.0 Gross HP†	26
Commercial Series 27.0 Gross HP†	27
Professional Series™ 30.0 Gross HP†	28
Vanguard™ 16.0 Gross HP†	29
Vanguard™ 18.0 Gross HP†	30
Vanguard™ 23.0 Gross HP†	31
Vanguard™ 810 26.0 Gross HP†	32
Vanguard™ 810 EFI 28.0 Gross HP†	33
Vanguard™ 32.0 Gross HP†	34
Vanguard™ 36.0 Gross HP†	35
Vanguard™ EFI 37.0 Gross HP†	36
Vanguard™ 37.0 Gross HP†	37

HORIZONTAL MODELS

XR Professional 5.50 Gross Torque*	38
CR 7.50 Gross Torque*	39
XR Professional 7.50 Gross Torque*	40
8.00 Gross Torque*	41
9.00 Gross Torque*	42
CR 9.50 Gross Torque*	43
XR Professional 9.50 Gross Torque*	44
XR Professional 11.50 Gross Torque*	45
XR Professional 14.50 Gross Torque*	46
14.50 Gross Torque*	47
XR Professional 21.00 Gross Torque*	48
Snow Series 7.50 Gross Torque*	49
Snow Series 9.00 Gross Torque*	50
Snow Series 9.50 Gross Torque*	51
Professional Series™ Snow 11.50 Gross Torque*	52
Professional Series™ Snow 14.50 Gross Torque*	53
Professional Series™ Snow 21.00 Gross Torque*	54
Vanguard™ 6.5 Gross HP†	55
Vanguard™ 10.0 Gross HP†	56
Vanguard™ 16.0 Gross HP†	57
Vanguard™ 18.0 Gross HP†	58
Vanguard™ 21.0 Gross HP†	59
Vanguard™ 23.0 Gross HP†	60
Vanguard™ 31.0 Gross HP†	61
Vanguard™ 35.0 Gross HP†	62
Vanguard™ EFI 37.0 Gross HP†	63
Vanguard™ EFI 37.0 Gross HP†	64

*All power levels are stated gross torque at 2600 RPM per SAE J1940 as rated by Briggs & Stratton.

†All power levels are stated gross horsepower at 3600 RPM per SAE J1940 as rated by Briggs & Stratton.

ALL POWER RATINGS SHOWN IN THIS CATALOG ARE SUBJECT TO THE FOLLOWING:

The gross power rating for individual gasoline engine models is labeled in accordance with SAE (Society of Automotive Engineers) code J1940 Small Engine Power & Torque Rating Procedure, and is rated in accordance with SAE J1995. Torque values are derived at 2600 RPM for those engines with "rpm" called out on the label and 3060 for all others; horsepower values are derived at 3600 RPM. The gross power curves can be viewed at www.BRIGGSandSTRATTON.COM. Net power values are taken with exhaust and air cleaner installed whereas gross power values are collected without these attachments. Actual gross engine power will be higher than net engine power and is affected by, among other things, ambient operating conditions and engine-to-engine variability. Given the wide array of products on which engines are placed, the gasoline engine may not develop the rated gross power when used in a given piece of power equipment. This difference is due to a variety of factors including, but not limited to, the variety of engine components (air cleaner, exhaust, charging, cooling, carburetor, fuel pump, etc.), application limitations, ambient operating conditions (temperature, humidity, altitude), and engine-to-engine variability. Due to manufacturing and capacity limitations, Briggs & Stratton may substitute an engine of higher rated power for this engine.

SPECIFICATIONS OF SERVICE ENGINES

LEGEND OF ABBREVIATIONS

- STARTER POSITION:** Number shown is "o'clock" position of rewind starter. Spark plug is considered to be the 12 o'clock position.
- CONTROLS:** "MF" – manual friction, "R" – remote, "AG" – adjustable for a constant speed operation, "FC" – fixed speed control
- GROUND WIRE TERMINAL:** May be used with stop switch in remote location.
- ACCESSORY MTG. BOSS or FLANGE MOUNTING:** Tapped holes in crankcase cover used to fasten clutch brackets, belt guards, etc.

Briggs & Stratton Corporation believes the specifications in this brochure to be correct at time of printing. However, specifications, standard equipment, options, and colors are subject to change without notice.

YOUR KEY TO THE WORLD'S FINEST ENGINES

This chart explains the unique Briggs & Stratton numerical model designation system. It is possible to determine most of the important mechanical features of the engine by merely knowing the model number. Here is how it works:

- The first one or two digits indicate the approximate CUBIC INCH DISPLACEMENT.
- The first digit after the displacement indicates the BASIC DESIGN SERIES, relating to cylinder construction, ignition, general configuration, etc.
- The second digit after the displacement indicates ORIENTATION OF CRANKSHAFT.
- The third digit after the displacement indicates TYPE OF BEARINGS, and whether or not the engine is equipped with REDUCTION GEAR or AUXILIARY DRIVE.
- The last digit indicates the TYPE OF STARTER.

BRIGGS & STRATTON MODEL NUMBERING SYSTEM

	<u>FIRST DIGIT AFTER DISPLACEMENT</u>	<u>SECOND DIGIT AFTER DISPLACEMENT</u>	<u>THIRD DIGIT AFTER DISPLACEMENT</u>	<u>FOURTH DIGIT AFTER DISPLACEMENT</u>	
	<u>A</u>	<u>B</u>	<u>C</u>	<u>D</u>	
	<u>CUBIC INCH DISPLACEMENT</u>	<u>BASIC DESIGN SERIES</u>	<u>CRANKSHAFT ORIENTATION</u>	<u>PTO BEARING, REDUCTION GEAR, AUXILIARY DRIVE, LUBRICATION</u>	
	<u>E</u>			<u>TYPE OF STARTER</u>	
	2-61	0 - 9 A - Z	0 to 4 – Horizontal Shaft 5 to 9 – Vertical Shaft A to G – Horizontal Shaft H to Z – Vertical Shaft	0 – Plain Bearing 3 – Ball Bearing 4 – Ball Bearing Pressure Lubrication 5 – Plain Bearing Gear Reduction (6 to 1) CCW Rotation 6 – Ball Bearing Gear Reduction (2 to 1) CCW Rotation 7 – Plain Bearing Pressure Lubrication 9 – Plain Bearing Auxiliary Drive	0 – Without Starter 2 – Rewind Starter 5 – Electric Starter 6 – Alternator Only 7 – Electric Starter with Alternator B – Lithium Ion Battery

EXAMPLE – To identify Model 303447:

<u>30</u> 30 Cubic Inch	<u>3</u> Design Series 3	<u>4</u> Horizontal Shaft	<u>4</u> Ball Bearing Pressure Lubrication	<u>7</u> Electric Starter with Alternator
----------------------------	-----------------------------	------------------------------	--------------------------------------------------	-------------------------------------------------

Column D historical numbers that have been discontinued include:

- 1- Plain Bearing/DU, 2- Sleeve Bearing Flange Mounting Splash Lube, 8- Plain Bearing Auxiliary Drive (PTO) Perpendicular to Crankshaft

Column E historical numbers that have been discontinued include:

- 1- Rope Starter, 3- Electrical Starter Only 110 or 230 Volt Gear Drive, 4- Electrical Starter/110 or 230 Volt Gear Drive with Alternator, 7- Electrical Starter Only 12 or 24 Volt Gear Drive, 8- Vertical Pull Starter or Side Pull Starter, 9- Mechanical Starter and A- Electrical Starter 12 or 24 Volt Gear Drive with Alternator & Inverter

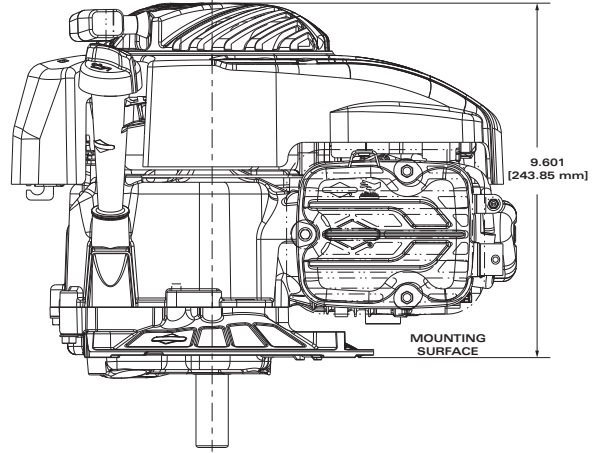
5.50 GROSS TORQUE*

140 CC

Bore 2.50 in. (65.60 mm)

Stroke 1.75 in. (44.50 mm)

Oil Capacity 16 fl. oz. (0.47 L)



FEATURES:

Optional ReadyStart® starting system with no prime, no choke, no worries, just pull for power

Dual-sealing air cleaner for improved debris resistance and longer life

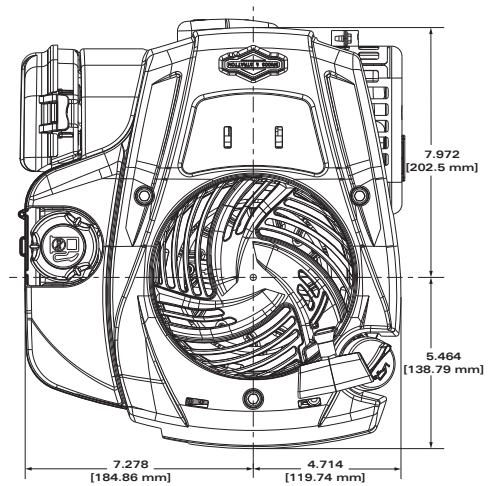
Lightest engine in its class by 30% for easier maneuverability

Acoustically-engineered muffler for quiet operation and excellent tonal quality

Less vibration for more user comfort and enhanced engine life

Mechanical Governor

Buyer protection package provides two-year limited consumer engine warranty**



MTT	Crankshaft #	P.T.O. Diameter	Drilled & Tapped	Keyway	Length	Starter Position	Ext. Starter Rope	Heavy Flywheel	Controls	5 Position Choke	Primer Carburetor	ReadyStart®	Oil Pump w/Filter	Fuel Tank (Quarts)	Top Governor Speed	CPSC Blade Break	Notes
9P702																	
0045-F1	590538	7/8 in.	3/8-24	2 #505 WK, 3/16-Str.	3-5/32	5:30			FC			X	.8	3100	X		
0046-F1	590537	7/8 in.	3/8-24	2 #505 WK, 3/16-Str.	2-7/16	5:30			FC			X	.8	3100	X		
0087-F1	590538	7/8 in.	3/8-24	2 #505 WK, 3/16-Str.	3-5/32	5:30			FC		X		.8	3100	X		
0116-F1	591152	7/8 in.	3/8-24	2 #505 WK, 3/16-Str.	1-13/16	5:30			R			X	.8	3300	X		
0181-F1	591152	7/8 in.	3/8-24	2 #505 WK, 3/16-Str.	1-13/16	5:30		X	FC		X		.8	3800			

*All power levels are stated gross torque at 2600 RPM per SAE J1940 as rated by Briggs & Stratton.

**See www.briggsandstratton.com for warranty details.

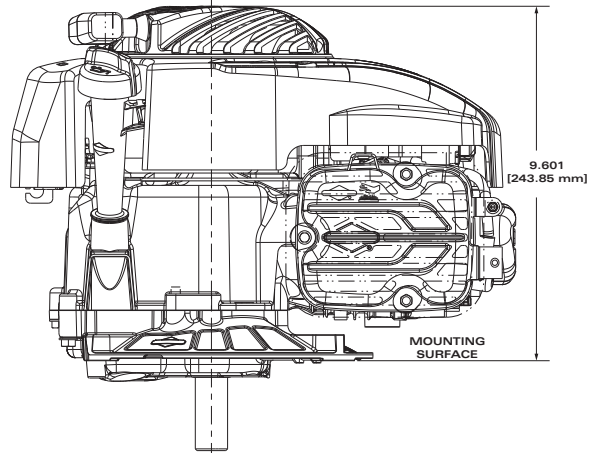
6.25 GROSS TORQUE*

150CC

Bore 2.58 in. (65.60 mm)

Stroke 1.75 in. (44.50 mm)

Oil Capacity 16 fl. oz. (0.47 L)



FEATURES:

ReadyStart® starting system with no prime, no choke, no worries, just pull for power

Dual-sealing air cleaner for improved debris resistance and longer life

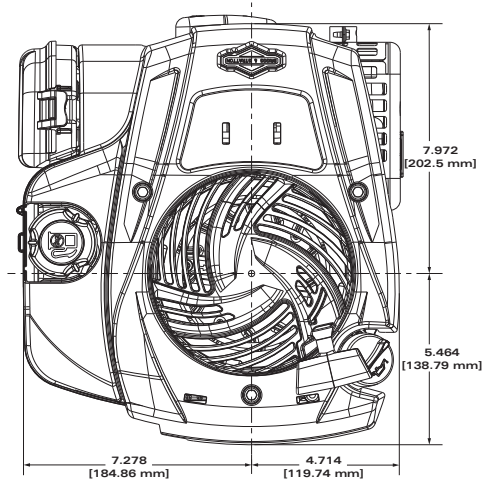
Lightest engine in its class by 30% for easier maneuverability

Acoustically-engineered muffler for quiet operation and excellent tonal quality

Less vibration for more user comfort and enhanced engine life

Mechanical Governor

Buyer protection package provides two-year limited consumer engine warranty**



MTT	Crankshaft #	P.T.O. Diameter	Drilled & Tapped	Keyway	Length	Starter Position	Ext. Starter Rope	Heavy Flywheel	Controls	5 Position Choke	Primer Carburetor	ReadyStart®	Oil Pump w/Filter	Fuel Tank (Quarts)	Top Governor Speed	CPSC Blade Break	Notes
93J02																	
0032-F1	590538	7/8 in	3/8-24	3/16-Str	3-5/32	5:30	X		R			X	.8	3200		X	
0075-F1	590537	7/8 in	3/8-24	3/16-Str	2-7/16	5:30	X		FC			X	.8	3100		X	
0076-F1	591152	7/8 in	3/8-24	3/16-Str	1-13/16	5:30	X		FC			X	.8	3100		X	

*All power levels are stated gross torque at 2600 RPM per SAE J1940 as rated by Briggs & Stratton.

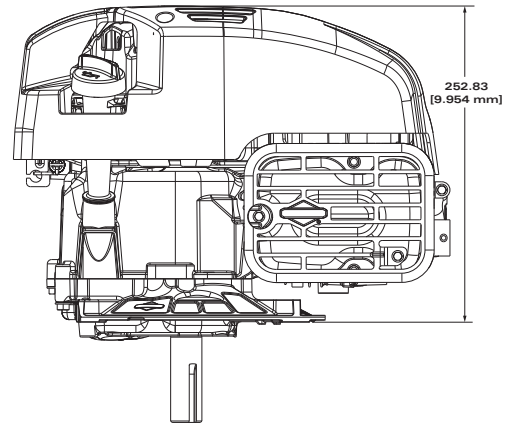
7.25 GROSS TORQUE*

163 CC

Bore 2.69 in. (68.28 mm)

Stroke 1.75 in. (44.50 mm)

Oil Capacity 15 fl. oz. (0.44 L)



FEATURES:

ReadyStart® starting system with no prime, no choke, no worries, just pull for power

Dual-sealing air cleaner for improved debris resistance and longer life

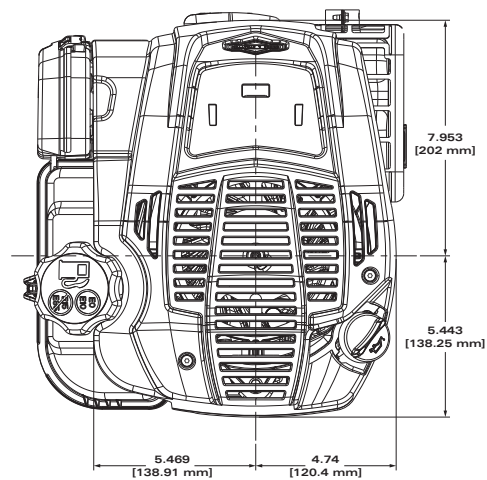
Lightest engine in its class by 30% for easier maneuverability

Acoustically-engineered muffler for quiet operation and excellent tonal quality

Less vibration for more user comfort and enhanced engine life

Mechanical Governor

Buyer protection package provides two-year limited consumer engine warranty**



MTT	Crankshaft #	P.T.O. Diameter	Drilled & Tapped	Keyway	Length	Starter Position	Ext. Starter Rope	Heavy Flywheel	Controls	5 Position Choke	Primer Carburetor	ReadyStart®	Oil Pump w/Filter	Fuel Tank (Quarts)	Top Governor Speed	CPSC Blade Break	Notes
104M02																	
0020-F1	594104	25mm	3/8-24	1/4-Sq	3-5/32	5:30	X	FC				X	1.09	3200		X	
0021-F1	595024	7/8 in.	3/8-24	3/16-Sq	3-5/32	5:30	X	FC				X	1.09	3200		X	
0028-F1	594507	25mm	7/16-20	3/16-Sq	3-5/32	5:30	X	FC				X	1.09	3000		X	
0083-F1	595177	7/8 in.		M14x1.5-6 ext thd	3-7/32	5:30	X	FC				X	1.09	3000			13
104M05																	
0082-F1	594507	25mm	7/16-20	3/16-Sq	3-5/32	5:30	X	FC				X	1.09	3000		X	2
0107-F1	594104	25mm	3/8-24	1/4-Sq	3-5/32	5:30	X	FC				X	1.09	3100		X	2
104M013																	
0103-F1	594104	25mm	3/8-24	1/4-sq	3-5/32				FC			X	1.09	3200		X	

*All power levels are stated gross torque at 2600 RPM per SAE J1940 as rated by Briggs & Stratton.

(2) Engine equipped with 12 volt Gear Drive Starter

(13) BBC Crankshaft

Engines in bold type have promotional pricing

**See www.briggsandstratton.com for warranty details.

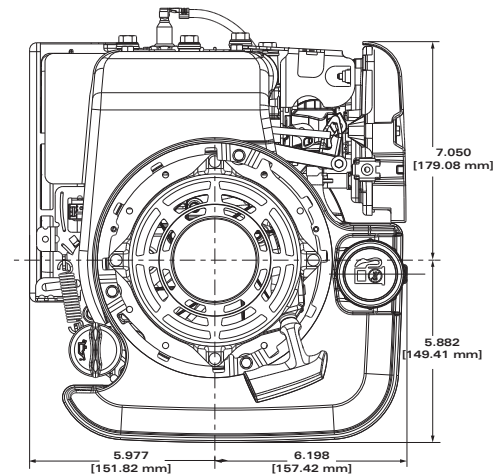
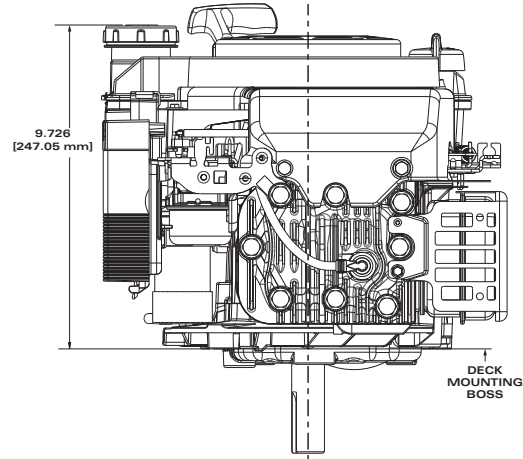
6.75 GROSS TORQUE*

190 CC

Bore 2.69 in. (68.30 mm)

Stroke 2.04 in. (51.80 mm)

Oil Capacity 18-20 fl. oz. (0.53-0.59 L)



FEATURES:

Super Lo-Tone™ muffler for quieter operation

Meets U.S. EPA Phase 3 emissions standards that are 35% stricter than the previous standards without the use of a catalyst

Optional ReadyStart® starting system with no prime, no choke, no worries, just pull for power

Mechanical Governor

Buyer protection package provides two-year limited consumer engine warranty**

MTT	Crankshaft #	P.T.O. Diameter	Drilled & Tapped	Keyway	Length	Starter Position	Ext. Starter Rope	Heavy Flywheel	Controls	5 Position Choke	Primer Carburetor	ReadyStart®	Oil Pump w/Filter	Fuel Tank (Quarts)	Top Governor Speed	CPSC Blade Break	Notes
126M02																	
0135-F1	591159	7/8 in.	3/8-24	1#607 WK	1-5/8	6:00	X	X	R			X	1	3200			13
1002-F1	694850	7/8 in.	3/8-24	2 #505 WK, 3/16-Str.	3-5/32	6:00		X	MF	X			1	3100			
1005-F1	797372	7/8 in.	3/8-24	1 #505 WK, 3/16-Str.	1-13/16	6:00	X	X	MF	X			1	3700			
1010-F1	691452	7/8 in.	3/8-24	2 #505 WK, 3/16-Str.	3-5/32	6:00	X	X	R		X		1	3600			
1011-F1	691452	7/8 in.	3/8-24	2 #505 WK, 3/16-Str.	3-5/32	6:00	X		MF/R		X		1	3600		X	
1014-F1	797372	7/8 in.	3/8-24	1 #505 WK, 3/16-Str.	1-13/16	6:00	X	X	R/MF			X	1	3700			
1015-F1	691452	7/8 in.	3/8-24	2 #505 WK, 3/16-Str.	3-5/32	6:00	X		R/MF		X		1	3100		X	
1018-F1	797681	7/8 in.	3/8-24	1 #505 WK, 3/16-Str.	1-13/16	6:00	X		R/MF		X		1	3100		X	
1025-F1	797017	25 mm	3/8-24	2#605 WK, 1/4-Str.	3-5/32	6:00	X		R/MF		X		1	3100		X	
1030-F1	791061	7/8 in.	7/16-20	1 #605 WK	1-15/32	6:00	X	X	FC			X	1	3100			13
1031-F1	590807	25 mm	7/16-20	3/16-Str.	3-5/32	6:00			R/MF		X		1	3100		X	
1615-F1	797018	7/8 in.	3/8-24	2 #505 WK, 3/16-Str.	3-5/32	5:00	X		MF			X	1	3100		X	
1625-F1	797017	25 mm	3/8-24	2#605 WK, 1/4-Str.	3-5/32	5:00	X		MF		X		1	3100		X	
1701-F1	694079	25 mm	7/16-20	Tapered	3-5/16	6:00			MF		X		1	3100		X	

*All power levels are stated gross torque at 2600 RPM per SAE J1940 as rated by Briggs & Stratton.

(13) BBC Crankshaft

Engines in bold type have promotional pricing

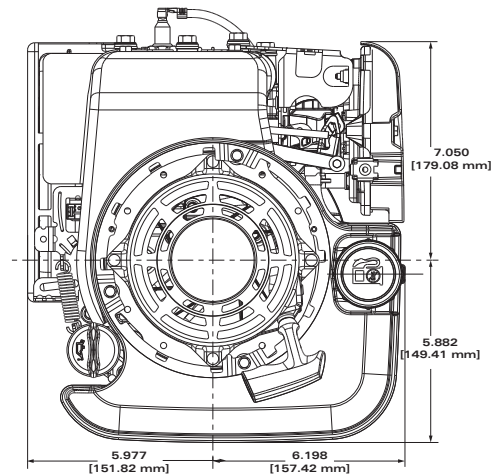
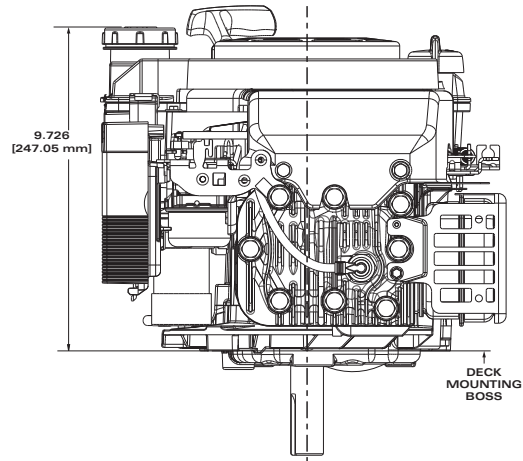
6.75 GROSS TORQUE*

190 CC

Bore 2.69 in. (68.30 mm)

Stroke 2.04 in. (51.80 mm)

Oil Capacity 18-20 fl. oz. (0.53-0.59 L)



FEATURES:

Super Lo-Tone™ muffler for quieter operation
 Meets U.S. EPA Phase 3 emissions standards that are 35% stricter than the previous standards without the use of a catalyst

Optional ReadyStart® starting system with no prime, no choke, no worries, just pull for power

Mechanical Governor

Buyer protection package provides two-year limited consumer engine warranty**

MTT	Crankshaft #	P.T.O. Diameter	Drilled & Tapped	Keyway	Length	Starter Position	Ext. Starter Rope	Heavy Flywheel	Controls	5 Position Choke	Primer Carburetor	ReadyStart®	Oil Pump w/Filter	Fuel Tank (Quarts)	Top Governor Speed	CPSC Blade Break	Notes
126M07																	
5050-F1	797018	7/8 in.	3/8-24	2 #505 WK, 3/16-Str.	3-5/32	6:00	X	X	MF/R	X			1	3600			3
5060-F1	797018	7/8 in.	3/8-24	2 #505 WK, 3/16-Str.	3-5/32	6:00	X		MF/R	X			1	3100	X		3
5062-F1	797017	25 mm	3/8-24	2 #605 WK, 1/4-Str.	3-5/32	6:00	X		MF/R	X			1	3100	X		3
5660-F1	797018	7/8 in.	3/8-24	2 #505 WK, 3/16-Str.	3-5/32	5:00	X		MF			X	1	3100	X		3
5662-F1	797017	25 mm	3/8-24	2 #605 WK, 1/4-Str.	3-5/32	5:00	X		MF			X	1	3100	X		3

*All power levels are stated gross torque at 2600 RPM per SAE J1940 as rated by Briggs & Stratton.

(3) Engine equipped with 12 Volt Gear Drive Starter and .5 Amp DC Alternator

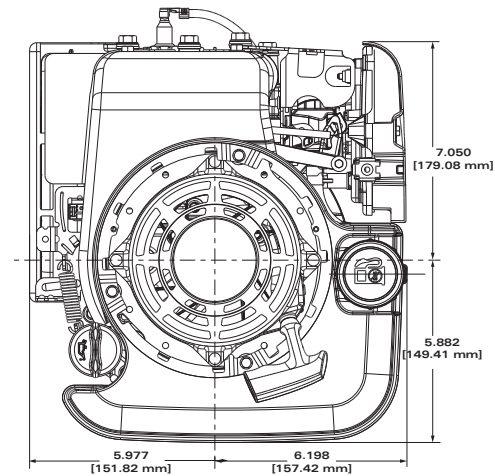
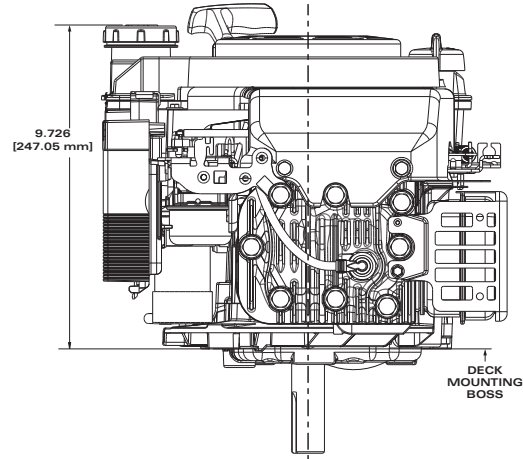
7.25 GROSS TORQUE*

190 CC

Bore 2.69 in. (68.30 mm)

Stroke 2.04 in. (51.80 mm)

Oil Capacity 18-20 fl. oz. (0.53-0.59 L)



FEATURES:

Super Lo-Tone™ muffler for quieter operation

Meets U.S. EPA Phase 3 emissions standards that are 35% stricter than the previous standards without the use of a catalyst

Optional ReadyStart® starting system with no prime, no choke, no worries, just pull for power

Mechanical Governor

Buyer protection package provides two-year limited consumer engine warranty**

MTT	Crankshaft #	P.T.O. Diameter	Drilled & Tapped	Keyway	Length	Starter Position	Ext. Starter Rope	Heavy Flywheel	Controls	5 Position Choke	Primer Carburetor	ReadyStart®	Oil Pump w/Filter	Fuel Tank (Quarts)	Top Governor Speed	CPSC Blade Break	Notes
128M02																	
0001-F1	590808	7/8 in.	7/16-20	1#605 WK	1-11/16	6:00	X	X	FC			X	1	2900			13
0021-F1	590807	25 mm	7/16-20	3/16-Str.	3-5/32	6:00	X		FC			X	1	3000	X		12
0025-F1	797017	25 mm	3/8-24	2#605 WK 1/4-Str.	3-5/32	5:00	X		MF			X	1	3100		X	
0133-F1	590807	25 mm	7/16-20	3/16-Str.	3-5/32	6:00	X		FC			X	1	2900		X	
128M05																	
0016-F1	590807	25 mm	7/16-20	3/16-Str.	3-5/32	6:00	X		FC			X	1	2900	X		2
0020-F1	593915	25 mm	3/8-24	2#605 WK 1/4-Str.	3-5/32	6:00	X		FC			X	1	3100		X	
128M07																	
5062-F1	797017	25 mm	3/8-24	2#605 WK 1/4-Str.	3-5/32	5:00	X		MF			X	1	3100	X		3

*All power levels are stated gross torque at 2600 RPM per SAE J1940 as rated by Briggs & Stratton.

(2) Engine equipped with 12 volt Gear Drive Starter

(3) Engine equipped with 12 volt Gear Drive Starter and .5 Amp DC Alternator

(12) Mow N' Stow™

(13) BBC Crankshaft

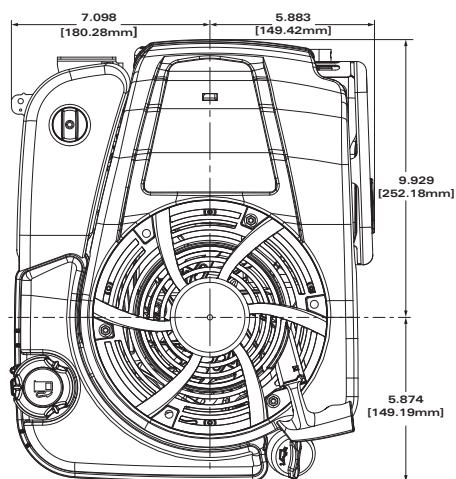
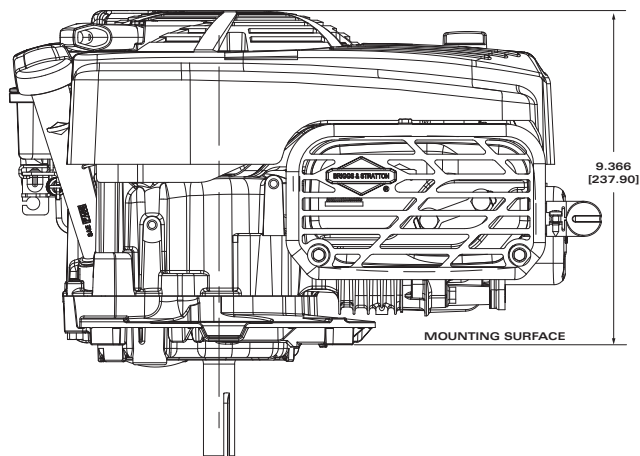
PROFESSIONAL SERIES™ 8.50 GROSS TORQUE*

190 CC

Bore 2.69 in. (68.30 mm)

Stroke 2.40 in. (51.80 mm)

Oil Capacity 18-20 fl. oz. (0.54-0.59 L)



FEATURES:

Optional ReadyStart® starting system with no prime, no choke, no worries, just pull for power

Certified to CARB Tier III and meets 2012 EPA Phase 3 Standards

Large rewind starter reduces pulling effort for easy starting

Commercial grade air cleaner with dual seals for longer engine life

Overhead valve design (OHV) for cooler operation and longer valve life

Mechanical Governor

Buyer protection package provides two-year limited consumer engine warranty**

MTT	Crankshaft #	P.T.O. Diameter	Drilled & Tapped	Keyway	Length	Starter Position	Ext. Starter Rope	Heavy Flywheel	Controls	5 Position Choke	Primer Carburetor	ReadyStart®	Oil Pump w/Filter	Fuel Tank (Quarts)	Top Governor Speed	CPSC Blade Break	Notes
121Q02																	
0006-F1	796469	7/8 in.	3/8-24	2#505 WK 3/16-Str.	3-5/32	5:30	X	R/MF	X				1.2	3600			
2015-F1	796469	7/8 in.	3/8-24	2#505 WK 3/16-Str.	3-5/32	5:30	X	R/MF				X	1.2	3100		X	
2025-F1	796468	25 mm	3/8-24	2#605 WK 1/4-Str.	3-5/32	5:30	X	R/MF				X	1.2	3100		X	
121Q07																	
2060-F1	796469	7/8 in.	3/8-24	2#505 WK 3/16-Str.	3-5/32	5:30	X	R/MF				X	1.2	3100		X	3
2062-F1	796468	25 mm	3/8-24	2#605 WK 1/4-Str.	3-5/32	5:30	X	R/MF				X	1.2	3100		X	3
121Q72																	
2020-F1	796469	7/8 in.	3/8-24	2#505 WK 3/16-Str.	3-5/32	5:30	X	R/MF				X	X	1.2	3100	X	11

*All power levels are stated gross torque at 2600 RPM per SAE J1940 as rated by Briggs & Stratton.

(3) Engine equipped with 12 volt Gear Drive Starter and .5 Amp DC Alternator

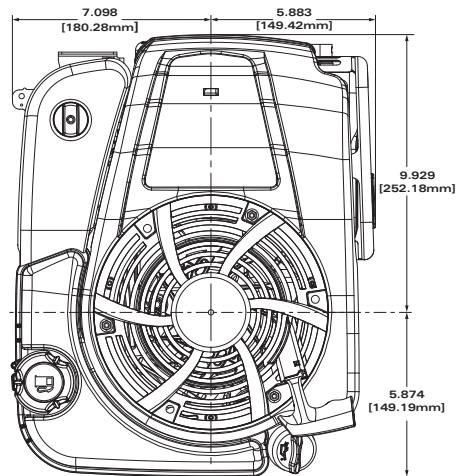
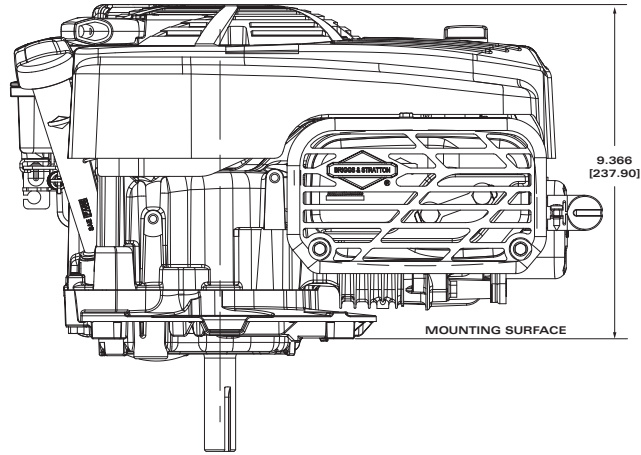
(11) PTO Ball Bearing

Engines in bold type have promotional pricing

PROFESSIONAL SERIES™ 8.75 GROSS TORQUE*

190 CC

Bore 2.69 in. (68.30 mm)
Stroke 2.04 in. (51.80 mm)
Oil Capacity 18-20 fl. oz. (0.54-0.59 L)



FEATURES:

- ReadyStart® starting system with no prime, no choke, no worries, just pull for power
- Certified to CARB Tier III and meets 2012 EPA Phase 3 Standards
- Large rewind starter reduces pulling effort for easy starting
- Commercial grade air cleaner with dual seals for longer engine life
- Overhead valve design (OHV) for cooler operation and longer valve life
- Mechanical Governor
- Buyer protection package provides two-year limited consumer engine warranty****

MTT	Crankshaft #	P.T.O. Diameter	Drilled & Tapped	Keyway	Length	Starter Position	Ext. Starter Rope	Heavy Flywheel	Controls	5 Position Choke	Primer Carburetor	ReadyStart®	Oil Pump w/Filter	Fuel Tank (Quarts)	Top Governor Speed	CPSC Blade Break	Notes
121S02																	
0028-F1	796924	7/8 in.	3/8-24	1#505 WK 3/16-Str.	2-7/16	5:30	X		R/MF			X		1.2	3100	X	
0130-F2	797740	25 mm	7/16-20	3/16-Str.	3-5/32	5:30	X	X	FC			X		1.2	3400		
2005-F1	796469	7/8 in.	3/8-24	2#505 WK 3/16-Str.	3-5/32	5:30	X	X	R/MF			X		1.2	3100		
2015-F1	796469	7/8 in.	3/8-24	2#505 WK 3/16-Str.	3-5/32	5:30	X		R/MF			X		1.2	3100	X	
2022-F1	796467	7/8 in.	3/8-24	1#505 WK 3/16-Str.	1-13/16	5:30	X	X	FC			X		1.2	3800		
2025-F1	796468	25 mm	3/8-24	2#605 WK 1/4-Str.	3-5/32	5:30	X		R/MF			X		1.2	3100	X	
121S07																	
2060-F1	796469	7/8 in.	3/8-24	2#505 WK 3/16-Str.	3-5/32	5:30	X		R/MF			X		1.2	3100	X	3
2062-F1	796468	25 mm	3/8-24	2#605 WK 1/4-Str.	3-5/32	5:30	X		R/MF			X		1.2	3100	X	3
2064-F1	796467	7/8 in.	3/8-24	1#505 WK 3/16-Str.	1-13/16	5:30	X	X	FC			X		1.2	3400		3
121S12																	
2008-F1	796469	7/8 in.	3/8-24	2#505 WK 3/16-Str.	3-5/32	5:30	X	X	FC			X		1.2	3800		
121S17																	
0127-F2	797740	25 mm	7/16-20	3/16-Str.	3-5/32	5:30	X	X	FC			X		1.2	3400		3
121S72																	
2030-F1	796468	25 mm	3/8-24	2#605 WK 1/4-Str.	3-5/32	5:30	X		R/MF			X	X	1.2	3100	X	
121S77																	
2063-F1	796468	25 mm	3/8-24	2#605 WK 1/4-Str.	3-5/32	5:30	X		R/MF			X	X	1.2	3100	X	3

*All power levels are stated gross torque at 2600 RPM per SAE J1940 as rated by Briggs & Stratton.

(3) Engine equipped with 12 volt Gear Drive Starter and .5 Amp DC Alternator

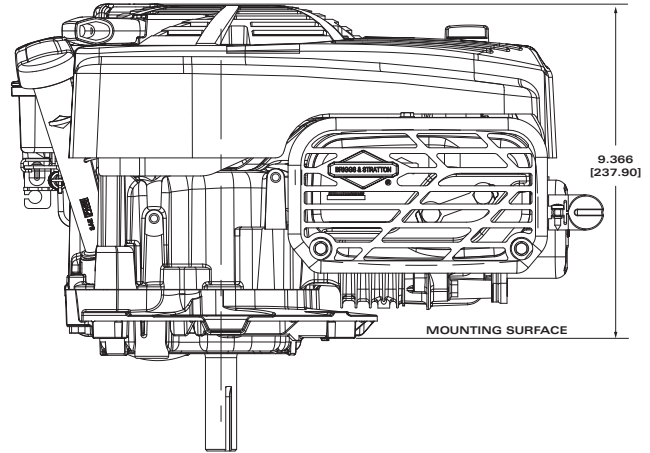
PROFESSIONAL SERIES™ 9.50 GROSS TORQUE*

223 CC

Bore 2.91 in. (73.91 mm)

Stroke 2.04 in. (51.80 mm)

Oil Capacity 18-20 fl.oz. (0.54-0.59 L)



FEATURES:

ReadyStart® starting system with no prime, no choke, no worries, just pull for power

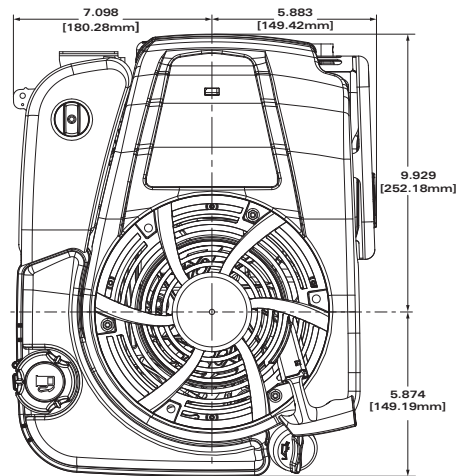
Dual-sealing air cleaner for improved debris resistance and longer life

Acoustically-engineered muffler for quiet operation and excellent tonal quality

Less vibration for more user comfort and enhanced engine life

Mechanical Governor

Buyer protection package provides two-year limited consumer engine warranty**



MTT	Crankshaft #	P.T.O. Diameter	Drilled & Tapped	Keyway	Length	Starter Position	Ext. Starter Rope	Heavy Flywheel	Controls	5 Position Choke	Primer Carburetor	ReadyStart®	Oil Pump w/Filter	Fuel Tank (Quarts)	Top Governor Speed	CPSC Blade Break	Notes
14B937																	
0011-F1	799473	7/8 in.	3/8-24	1#505 WK 3/16-Str.	1-13/16	5:30		X	FC			X		1.2	3100		3
0012-F1	591415	7/8 in.	3/8-24	2#505 WK 3/16-Str.	3-5/32	5:30			R			X		1.2	2800	X	3

*All power levels are stated gross torque at 2600 RPM per SAE J1940 as rated by Briggs & Stratton.

(3) Engine equipped with 12 volt Gear Drive Starter and .5 Amp DC Alternator

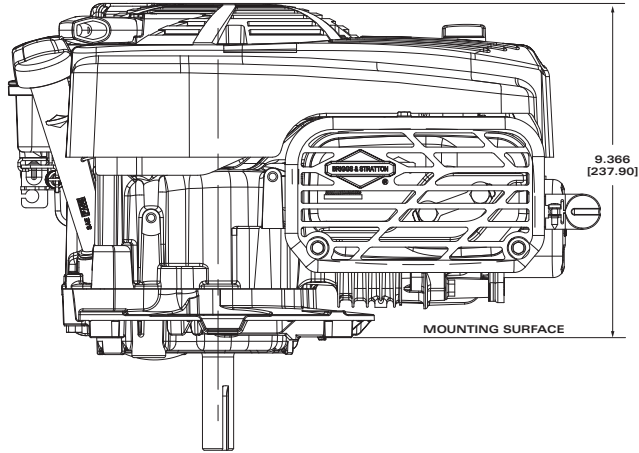
PROFESSIONAL SERIES™ 10.00 GROSS TORQUE*

223 CC

Bore 2.91 in. (73.91 mm)

Stroke 2.04 in. (51.80 mm)

Oil Capacity 18-20 fl.oz. (0.54-0.59 L)



FEATURES:

ReadyStart® starting system with no prime, no choke, no worries, just pull for power

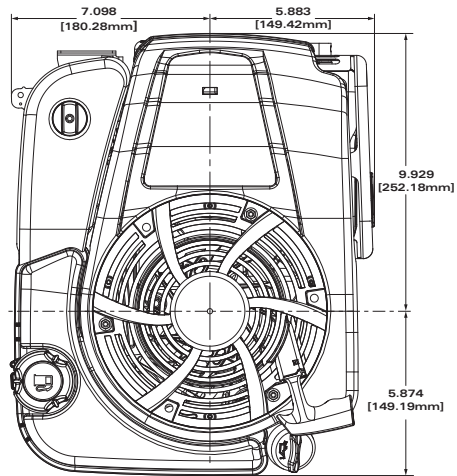
Dual-sealing air cleaner for improved debris resistance and longer life

Acoustically-engineered muffler for quiet operation and excellent tonal quality

Less vibration for more user comfort and enhanced engine life

Mechanical Governor

Buyer protection package provides two-year limited consumer engine warranty**



MTT	Crankshaft #	P.T.O. Diameter	Drilled & Tapped	Keyway	Length	Starter Position	Ext. Starter Rope	Heavy Flywheel	Controls	5 Position Choke	Primer Carburetor	ReadyStart®	Oil Pump w/Filter	Fuel Tank (Quarts)	Top Governor Speed	CPS/C Blade Break	Notes
14D937																	
0101-G1	590489	1 in.	7/16-20	1/4-Str.	3-5/32			X	R			X	--		3500		3,11

*All power levels are stated gross torque at 2600 RPM per SAE J1940 as rated by Briggs & Stratton.

(3) Engine equipped with 12 volt Gear Drive Starter and .5 Amp DC Alternator

(11) PTO Ball Bearing

INTEK™ 10.5 GROSS HP†

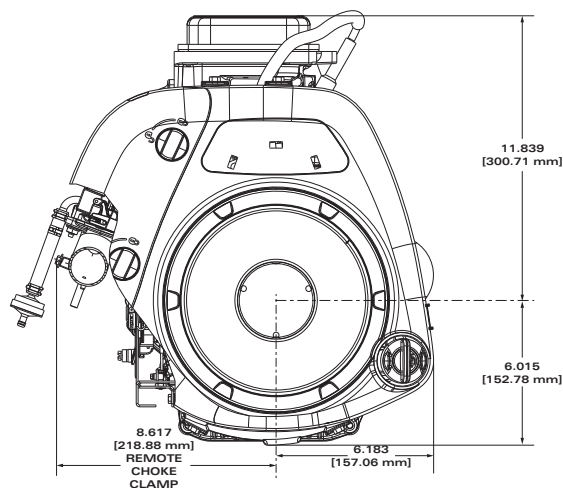
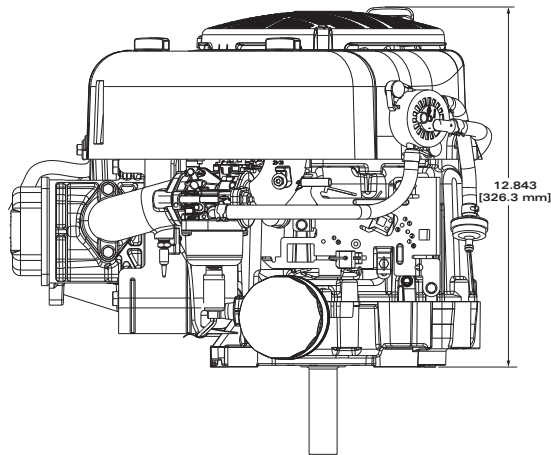
344 CC

Bore 3.44 in. (87.38 mm)

Stroke 2.26 in. (57.40 mm)

Oil Capacity 48 fl. oz. (1.400 L)

Oil Capacity 44 fl. oz. without filter (1.30 L)



FEATURES:

Dura-Bore™ cast iron cylinder sleeve for extended life

Float carburetor for consistent easy starting

Dual-Clean™ air cleaner pleated paper filter with a foam pre-cleaner ensures maximum protection for extended engine life

Overhead valve design (OHV) for cooler operation and longer valve life

Patented linear balancing system provides smoother performance

Mechanical Governor

Buyer protection package provides two-year limited consumer engine warranty**

MTT	Crankshaft #	P.T.O. Diameter	Drilled & Tapped	Keyway	Length	Starter Position	Controls	Fuel Pump, Integral	Oil Pump with Filter	Choke-A-Matic	ReadyStart®	Ground Wire Terminal	Remote Stop Switch	Fuel Tank (Quarts)	Top Governor Speed	Notes
21R702																
0070-F1	593417	1 in.	7/16-20	1/4-Str.	3-5/32	9:00	R	X		X		X		2.8	3400	
0087-G1	593417	1 in.	7/16-20	1/4-Str.	3-5/32	9:00	R			X		X			3400	
0089-G1	593417	1 in.	7/16-20	1/4-Str.	3-5/32	9:00	R	X		X		X			3300	
21R707																
0011-G1	593417	1 in.	7/16-20	1/4-Str.	3-5/32	9:00	R	X		X		X			3300	4
0047-G1	593417	1 in.	7/16-20	1/4-Str.	3-5/32	9:00	R			X		X			3300	4
0079-F1	593417	1 in.	7/16-20	1/4-Str.	3-5/32	9:00	R	X		X			X	2.8	3600	6
0082-G1	593417	1 in.	7/16-20	1/4-Str.	3-5/32		R	X		X			X		3600	4
0083-F1	593417	1 in.	7/16-20	1/4-Str.	3-5/32	9:00	R	X		X		X		2.8	3300	4
0084-G1	591949	1 in.	7/16-20	1/4-Str.	3-5/32		R			X		X			3400	4
0086-F1	593417	1 in.	7/16-20	1/4-Str.	3-5/32		R	X		X		X		2.8	3600	4
21R777																
0088-G1	593417	1 in.	7/16-20	1/4-Str.	3-5/32		R	X	X	X		X			3400	4

†All power levels are stated gross horsepower at 3600 RPM per SAE J1940 as rated by Briggs & Stratton.

(4) Engine equipped with 12 volt Gear Drive Starter and Dual Circuit Alternator (3 AMP DC - 14 Volts AC)

(6) Engine equipped with 12 Volt Gear Drive Starter and 16 AMP DC Alternator

Engines in bold type have promotional pricing

**See www.briggsandstratton.com for warranty details.

INTEK™ 11.5 GROSS HP†

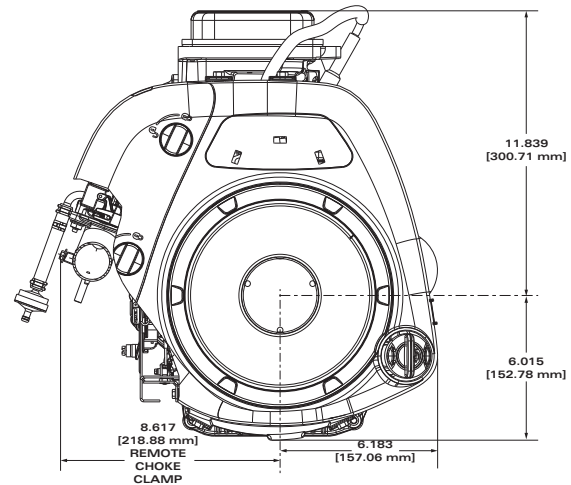
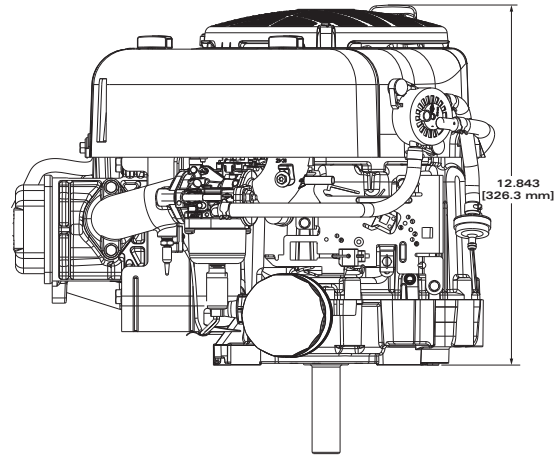
344 CC

Bore 3.44 in. (87.38 mm)

Stroke 2.26 in. (57.40 mm)

Oil Capacity 48 fl. oz. (1.40 L)

Oil Capacity 44 fl. oz. without filter (1.30 L)



FEATURES:

Dura-Bore™ cast iron cylinder sleeve for extended life

Float carburetor for consistent easy starting

Dual-Clean™ air cleaner pleated paper filter with a foam pre-cleaner ensures maximum protection for extended engine life

Overhead valve design (OHV) for cooler operation and longer valve life

Patented linear balancing system provides smoother performance

Mechanical Governor

Buyer protection package provides two-year limited consumer engine warranty**

MTT	Crankshaft #	P.T.O. Diameter	Drilled & Tapped	Keyway	Length	Starter Position	Controls	Fuel Pump, Integral	Oil Pump with Filter	Choke-A-Matic	ReadyStart®	Ground Wire Terminal	Remote Stop	Fuel Tank (Quarts)	Top Governor Speed	Notes
21R806																
0057-F1	593417	1 in.	7/16-20	1/4-Str.	3-5/32	6:00	MF	X				X		2.8	3600	1,14
0063-G1	593417	1 in.	7/16-20	1/4-Str.	3-5/32	9:00	R	X		X		X			3300	1,14
21R807																
0044-F1	593417	1 in.	7/16-20	1/4-Str.	3-5/32	9:00	R	X		X		X		2.8	3600	6,14
0051-G1	593417	1 in.	7/16-20	1/4-Str.	3-5/32		R			X		X			3400	4,14

†All power levels are stated gross horsepower at 3600 RPM per SAE J1940 as rated by Briggs & Stratton.

(1) Engine equipped with 9 AMP DC Battery-less Alternator

(4) Engine equipped with 12 volt Gear Drive Starter and Dual Circuit Alternator (3 AMP DC - 14 Volts AC)

(6) Engine equipped with 12 Volt Gear Drive Starter and 16 AMP DC Alternator

(14) Suppress Afterfire Solenoid

INTEK™ 17.5 GROSS HP†

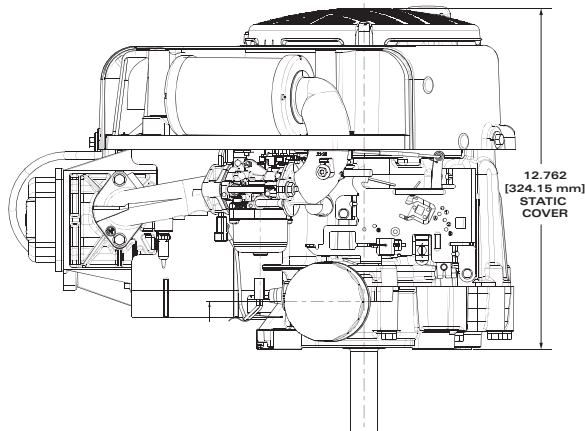
500 CC

Bore 3.56 in. (90.50 mm)

Stroke 3.06 in. (77.80 mm)

Oil Capacity 48 fl. oz. (1.40 L)

Oil Capacity 44 fl. oz. without filter (1.30 L)



FEATURES:

Dura-Bore™ cast iron cylinder sleeve for extended life

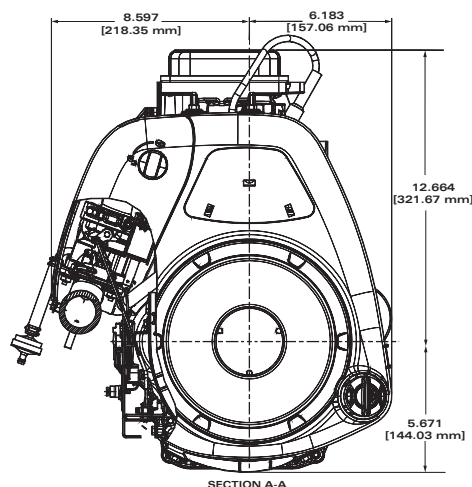
Advanced Debris Management System with our largest dual seal, cartridge-style air filter that provides maximum protection and extends engine life

Float carburetor for consistent easy starting

Overhead valve design (OHV) for cooler operation and longer valve life

Mechanical Governor

Buyer protection package provides two-year limited consumer engine warranty**



MTT	Crankshaft #	P.T.O. Diameter	Drilled & Tapped	Keyway	Length	Starter Position	Controls	Fuel Pump, Integral	Oil Pump with Filter	Choke-A-Matic	ReadyStart®	Ground Wire Terminal	Remote Stop	Fuel Tank (Quarts)	Top Governor Speed	Notes
31R907																
0006-G1	591762	1 in.	7/16-20	1/4-Str.	3-5/32	6:00	R			X		X			3300	5,14
0007-G1	591762	1 in.	7/16-20	1/4-Str.	3-5/32		R			X		X			3300	5,14
0022-G1	591762	1 in.	7/16-20	1/4-Str.	3-5/32		R	X		X		X			3300	5,14
31R976																
0016-G1	591763	1 in.	7/16-20	1/4-Str.	3-5/32	9:00	R	X	X	X		X			3600	1,14
31R977																
0027-G1	591762	1 in.	7/16-20	1/4-Str.	3-5/32		R	X	X	X		X			3300	5,14
0029-G1	591762	1 in.	7/16-20	1/4-Str.	3-5/32		R		X	X		X			3300	4,14
0032-G1	591762	1 in.	7/16-20	1/4-Str.	3-5/32		R	X	X	X		X			3600	5,14
0033-G1	591763	1 in.	7/16-20	1/4-Str.	3-5/32		R		X	X		X			3300	4,14

†All power levels are stated gross horsepower at 3600 RPM per SAE J1940 as rated by Briggs & Stratton.

(1) Engine equipped with 9 AMP DC Battery-less Alternator

(4) Engine equipped with 12 volt Gear Drive Starter and Dual Circuit Alternator (3 AMP DC - 14 Volts AC)

(5) Engine equipped with 12 volt Gear Drive Starter and 9 Amp DC Alternator

(14) Suppress Afterfire Solenoid

Engines in bold type have promotional pricing

**See www.briggsandstratton.com for warranty details.

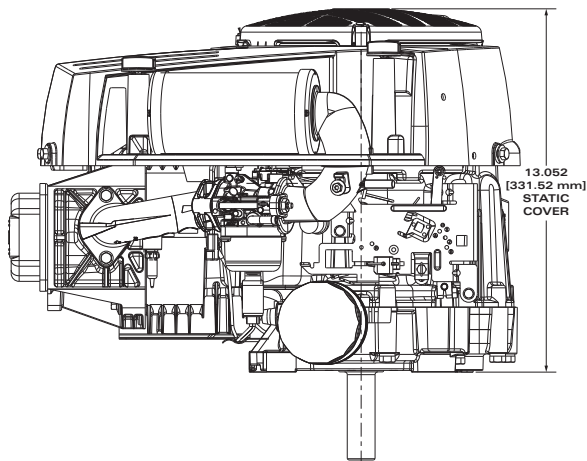
PROFESSIONAL SERIES™ 17.5 GROSS HP†

500 CC

Bore 3.56 in. (90.50 mm)

Stroke 3.06 in. (77.80 mm)

Oil Capacity 48 fl. oz. (1.40 L)



FEATURES:

Dura-Bore™ cast iron cylinder sleeve for extended life

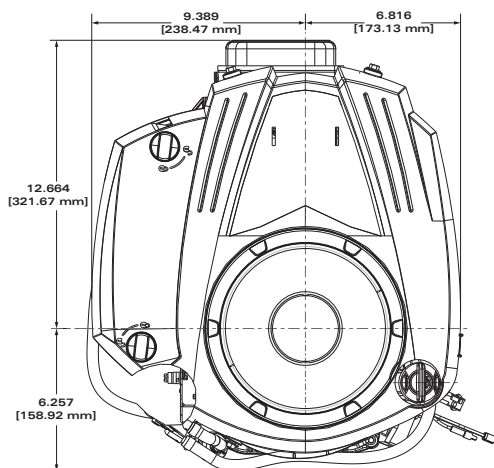
Advanced Debris Management System with our largest dual seal, cartridge-style air filter that provides maximum protection and extends engine life

Float carburetor for consistent easy starting

Overhead valve design (OHV) for cooler operation and longer valve life

Mechanical Governor

Buyer protection package provides two-year limited consumer engine warranty**



MTT	Crankshaft #	P.T.O. Diameter	Drilled & Tapped	Keyway	Length	Starter Position	Controls	Fuel Pump, Integral	Oil Pump with Filter	Choke-A-Matic	ReadyStart®	Ground Wire Terminal	Remote Stop	Fuel Tank (Quarts)	Top Governor Speed	Notes
31S977																
0005-G1	591763	1 in.	7/16-20	1/4-Str.	3-5/32	R	X	X	X	X	X	X			3300	5,14
0006-G1	591763	1 in.	7/16-20	1/4-Str.	3-5/32	R	X	X	X	X	X	X			3300	5,14
0011-G1	591763	1 in.	7/16-20	1/4-Str.	3-5/32	R	X	X	X	X	X	X			3300	6,14
0015-G1	591763	1 in.	7/16-20	1/4-Str.	3-5/32	R	X	X	X	X	X	X			3300	5,14

†All power levels are stated gross horsepower at 3600 RPM per SAE J1940 as rated by Briggs & Stratton.

(5) Engine equipped with 12 volt Gear Drive Starter and 9 Amp DC Alternator

(6) Engine equipped with 12 Volt Gear Drive Starter and 16 AMP DC Alternator

(14) Suppress Afterfire Solenoid

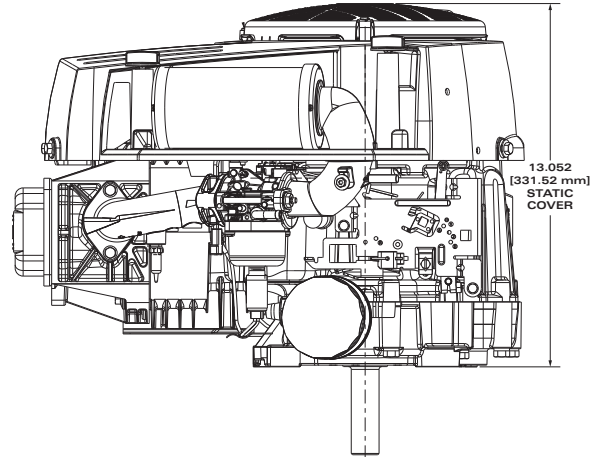
INTEK™ 19.0 GROSS HP†

540 CC

Bore 3.70 in. (94.00 mm)

Stroke 3.06 in. (77.80 mm)

Oil Capacity 48 fl. oz. (1.40 L)



FEATURES:

Full pressure lubrication with premium oil and fuel filters provide longer maintenance intervals and greater longevity

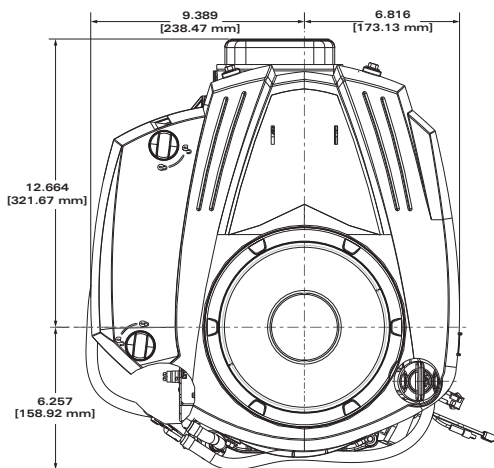
Advanced Debris Management System with our largest dual seal, cartridge-style air filter that provides maximum protection and extends engine life

Chrome plated exhaust valves reduce valve wear, providing longer life

Super-finished crank pin bearing reduces friction and heat to minimize wear under heavy load, for long life

Mechanical Governor

Buyer protection package provides two-year limited consumer engine warranty**



MTT	Crankshaft #	P.T.O. Diameter	Drilled & Tapped	Keyway	Length	Starter Position	Controls	Fuel Pump, Integral	Oil Pump with Filter	Choke-A-Matic	ReadyStart®	Ground Wire Terminal	Remote Stop	Fuel Tank (Quarts)	Top Governor Speed	Notes
33R877																
0003-G1	591763	1 in.	7/16-20	1/4-Str.	3-5/32	R	X	X	X		X				3600	5,14

†All power levels are stated gross horsepower at 3600 RPM per SAE J1940 as rated by Briggs & Stratton.

(5) Engine equipped with 12 volt Gear Drive Starter and 9 Amp DC Alternator

(14) Supress Afterfire Solenoid

Engines in bold type have promotional pricing

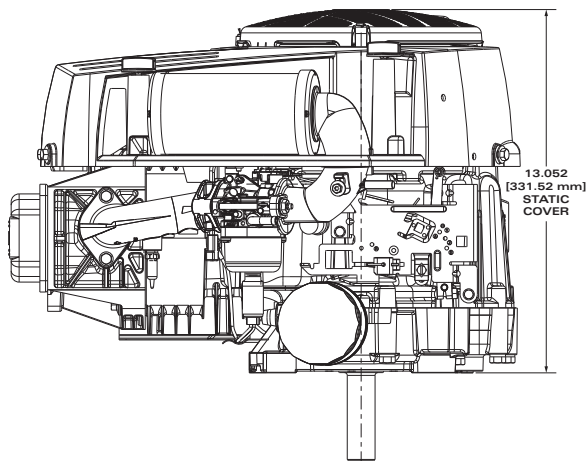
PROFESSIONAL SERIES™ 19.0 GROSS HP†

540 CC

Bore 3.70 in. (94.00 mm)

Stroke 3.06 in. (77.80 mm)

Oil Capacity 48 fl. oz. (1.40 L)



FEATURES:

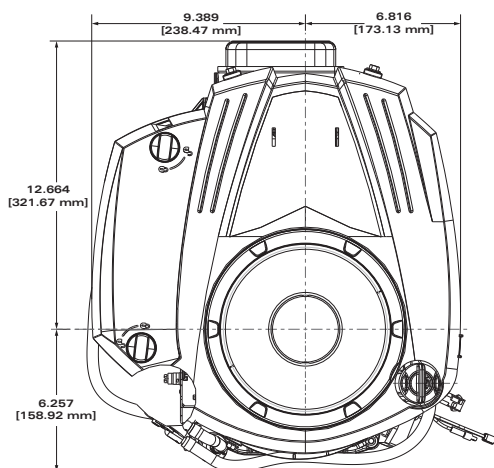
Full pressure lubrication with premium oil and fuel filters provide longer maintenance intervals and greater longevity

Advanced Debris Management System with our largest dual seal, cartridge-style air filter that provides maximum protection and extends engine life
AVS® Anti-Vibration System

Super-finished crank pin bearing reduces friction and heat to minimize wear under heavy load, for long life

Mechanical Governor

Buyer protection package provides two-year limited consumer engine warranty**



MTT	Crankshaft #	P.T.O. Diameter	Drilled & Tapped	Keyway	Length	Starter Position	Controls	Fuel Pump, Integral	Oil Pump with Filter	Choke-A-Matic	ReadyStart®	Ground Wire Terminal	Remote Stop	Fuel Tank (Quarts)	Top Governor Speed	Notes
33S877																
0014-G1	591763	1 in.	7/16-20	1/4-Str.	3-5/32	R		X	X			X			3300	4,14
0015-G1	591763	1 in.	7/16-20	1/4-Str.	3-5/32	R	X	X	X			X			3300	4,14
0017-G1	591763	1 in.	7/16-20	1/4-Str.	3-5/32	R	X	X			X				3300	5,14

†All power levels are stated gross horsepower at 3600 RPM per SAE J1940 as rated by Briggs & Stratton.

(4) Engine equipped with 12 volt Gear Drive Starter and Dual Circuit Alternator (3 AMP DC - 14 Volts AC)

(5) Engine equipped with 12 volt Gear Drive Starter and 9 Amp DC Alternator

(14) Suppress Afterfire Solenoid

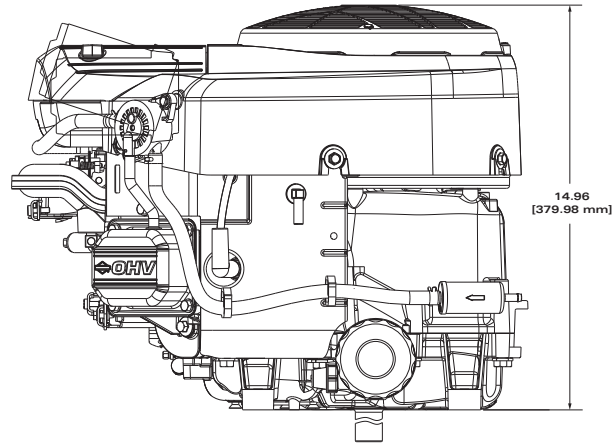
INTEK™ 24.0 GROSS HP†

724 CC

Bore 3.12 in. (79.20 mm)

Stroke 2.89 in. (73.40 mm)

Oil Capacity 64 fl. oz. (1.90 L)



FEATURES:

Dura-Bore™ cast iron cylinder sleeve for extended life

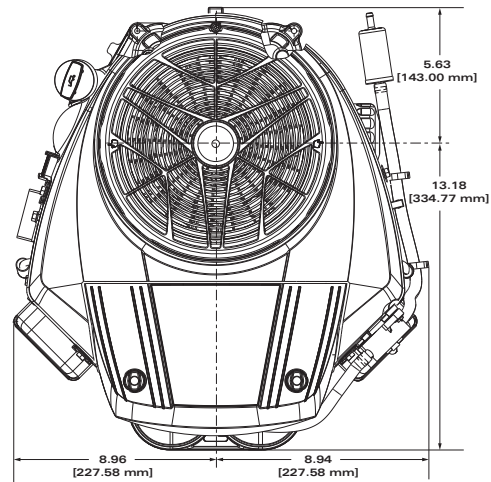
Advanced Debris Management System with our largest dual seal, cartridge-style air filter that provides maximum protection and extends engine life

Dynamically Balanced Crankshaft

Overhead valve design (OHV) for cooler operation and longer valve life

Mechanical Governor

Buyer protection package provides two-year limited consumer engine warranty**



MTT	Crankshaft #	P.T.O. Diameter	Drilled & Tapped	Keyway	Length	Starter Position	Cyclonic Air Filter	Controls	Oil Cooler	Fuel Pump, Integral	Oil Pump with Filter	Choke-A-Matic	ReadyStart®	Remote Choke	Ground Wire Terminal	EMF	Top Governor Speed	Notes
44N877																		
xxxx-xx	699701	1 in.	7/16-20	1/4-Str.	3-5/32			R		X	X	X			X		3300	4,14
xxxx-xx	699701	1 in.	7/16-20	1/4-Str.	3-5/32			R		X	X		X		X		3300	6,14
xxxx-xx	796256	1-1/8 in.	7/16-20	1/4-Str.	4-19/64			R		X	X		X		X		3300	6,14
xxxx-xx	699701	1 in.	7/16-20	1/4-Str.	3-5/32			R		X	X	X			X		3300	6,14

†All power levels are stated gross horsepower at 3600 RPM per SAE J1940 as rated by Briggs & Stratton.

(4) Engine equipped with 12 volt Gear Drive Starter and Dual Circuit Alternator (3 AMP DC - 14 Volts AC)

(6) Engine equipped with 12 Volt Gear Drive Starter and 16 AMP DC Alternator

(14) Suppress Afterfire Solenoid

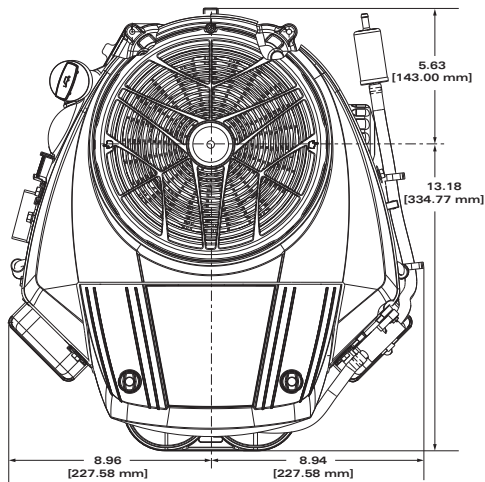
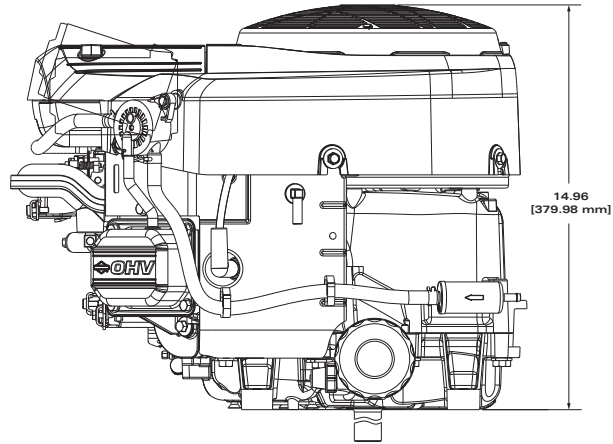
PROFESSIONAL SERIES™ 24.0 GROSS HP†

724 CC

Bore 3.12 in. (79.20 mm)

Stroke 2.89 in. (73.40 mm)

Oil Capacity 64 fl. oz. (1.90 L)



FEATURES:

Mechanical compression release for easy, reliable starting

Chrome plated exhaust valves reduce valve wear providing longer life

Premium high capacity air, oil and fuel filters provide longer maintenance intervals and more engine protection

Super-finished crank pin bearing for reduced friction and wear

Advanced Debris Management System with a dual seal, cartridge-style air filter provides maximum protection and extends engine life

Buyer protection package provides two-year limited consumer engine warranty**

MTT	Crankshaft #	P.T.O. Diameter	Drilled & Tapped	Keyway	Length	Starter Position	Cyclonic Air Filter	Controls	Oil Cooler	Fuel Pump, Integral	Oil Pump with Filter	Choke-A-Matic	ReadyStart®	Remote Choke	Ground Wire Terminal	EFIM	Top Governor Speed	Notes
44S877																		
0001-G1	796256	1-1/8 in.	7/16-20	1/4-Str.	4-19/64			R		X	X	X			X		3300	6,14
0002-G1	796237	1 in.	7/16-20	1/4-Str.	3-5/32			R		X	X	X			X		3300	6,14
0036-G1	796256	1-1/8 in.	7/16-20	1/4-Str.	4-19/64			R		X	X		X		X		3300	6,14
0037-G1	796237	1 in.	7/16-20	1/4-Str.	3-5/32			R		X	X	X			X		3500	6,14,15

†All power levels are stated gross horsepower at 3600 RPM per SAE J1940 as rated by Briggs & Stratton.

(6) Engine equipped with 12 Volt Gear Drive Starter and 16 AMP DC Alternator

(14) Suppress Afterfire Solenoid

(15) Static Cover Installed

Engines in bold type have promotional pricing

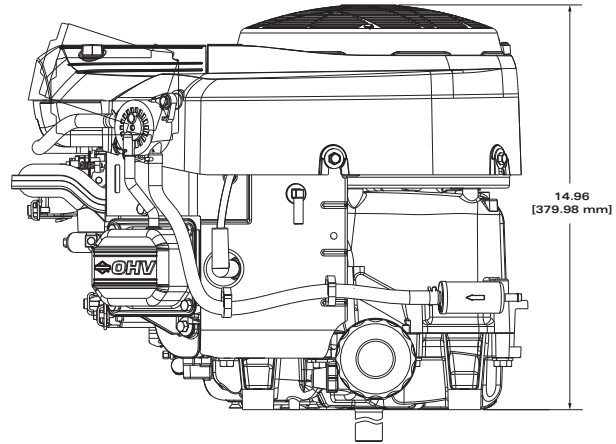
PROFESSIONAL SERIES™ 25.0 GROSS HP†

724 CC

Bore 3.12 in. (79.20 mm)

Stroke 2.89 in. (73.40 mm)

Oil Capacity 64 fl. oz. (1.90 L)



FEATURES:

Mechanical compression release for easy, reliable starting

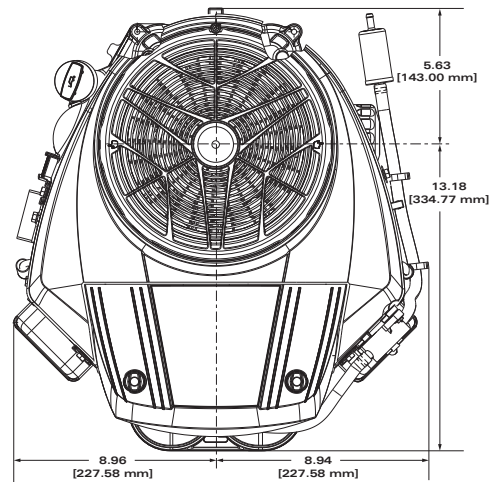
Chrome plated exhaust valves reduce valve wear providing longer life

Premium high capacity air, oil and fuel filters provide longer maintenance intervals and more engine protection

Super-finished crank pin bearing for reduced friction and wear

Advanced Debris Management System with a dual seal, cartridge-style air filter provides maximum protection and extends engine life

Buyer protection package provides two-year limited consumer engine warranty**



MTT	Crankshaft #	P.T.O. Diameter	Drilled & Tapped	Keyway	Length	Starter Position	Cyclonic Air Filter	Controls	Oil Cooler	Fuel Pump, Integral	Oil Pump with Filter	Choke-A-Matic	ReadyStart®	Remote Choke	Ground Wire Terminal	EFIM	Top Governor Speed	Notes
44S977																		
0012-G1	796257	1 in.	7/16-20	1/4-Str.	4-19/64			R		X	X	X			X		3300	6,14
0013-G1	796237	1 in.	7/16-20	1/4-Str.	3-5/32			R		X	X				X	X	3300	6,14
0014-G1	796256	1-1/8 in.	7/16-20	1/4-Str.	4-19/64			R		X	X				X	X	3300	6,14
0015-G1	796237	1 in.	7/16-20	1/4-Str.	3-5/32			R		X	X				X	X	3400	6,14
0016-G1	796237	1 in.	7/16-20	1/4-Str.	3-5/32			R		X	X	X			X		3300	6,14
0018-G1	796237	1 in.	7/16-20	1/4-Str.	3-5/32			R		X	X	X			X		3500	5,14
0020-G1	796237	1 in.	7/16-20	1/4-Str.	3-5/32			R		X	X	X			X		3400	5,14,15
0021-G1	796237	1 in.	7/16-20	1/4-Str.	3-5/32			R		X	X	X			X		3300	4,14

†All power levels are stated gross horsepower at 3600 RPM per SAE J1940 as rated by Briggs & Stratton.

(4) Engine equipped with 12 volt Gear Drive Starter and Dual Circuit Alternator (3 AMP DC - 14 Volts AC)

(5) Engine equipped with 12 volt Gear Drive Starter and 9 Amp DC Alternator

(6) Engine equipped with 12 Volt Gear Drive Starter and 16 AMP DC Alternator

(14) Suppress Afterfire Solenoid

(15) Static Cover Installed

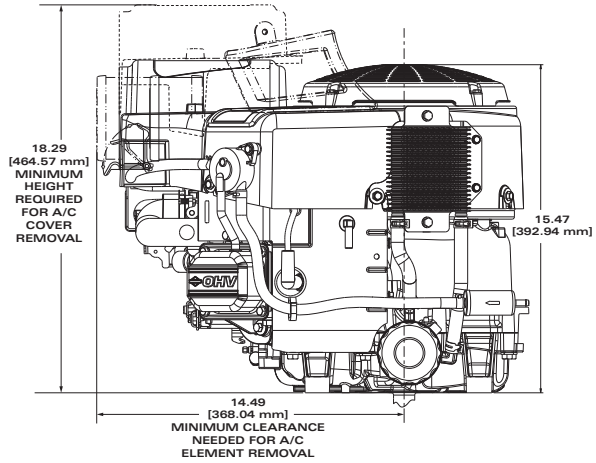
COMMERCIAL SERIES 24.0 GROSS HP†

724 CC

Bore 3.12 in. (79.20 mm)

Stroke 2.89 in. (73.40 mm)

Oil Capacity 64 fl. oz. (1.90 L)



FEATURES:

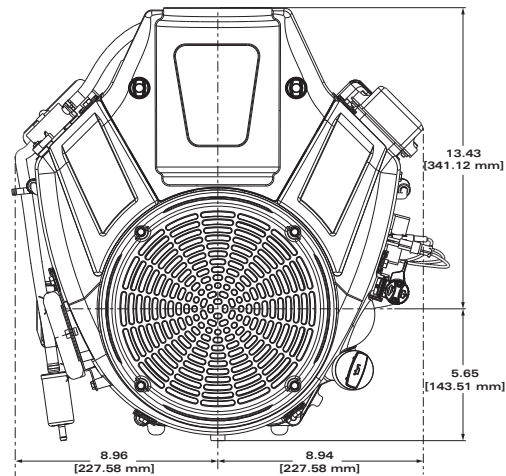
Mechanical compression release for easy, reliable starting

Chrome plated exhaust valves reduce valve wear providing longer life

Patented 5-Step Debris Management System for extended durability under heavy debris conditions

Super-finished crank pin bearing for reduced friction and wear

Buyer protection package provides two-year limited consumer engine warranty**



MTT	Crankshaft #	P.T.O. Diameter	Drilled & Tapped	Keyway	Length	Starter Position	Cyclonic Air Filter	Controls	Oil Cooler	Fuel Pump, Integral	Oil Pump with Filter	Choke-A-Matic	ReadyStart®	Remote Choke	Ground Wire Terminal	EFIM	Top Governor Speed	Notes
44T877																		
0001-G1	796237	1 in.	7/16-20	1/4-Str.	3-5/32	X	R	X	X	X	X	X			X		3300	6,14,15

†All power levels are stated gross horsepower at 3600 RPM per SAE J1940 as rated by Briggs & Stratton.

(6) Engine equipped with 12 Volt Gear Drive Starter and 16 AMP DC Alternator

(14) Suppress Afterfire Solenoid

(15) Static Cover Installed

Engines in bold type have promotional pricing

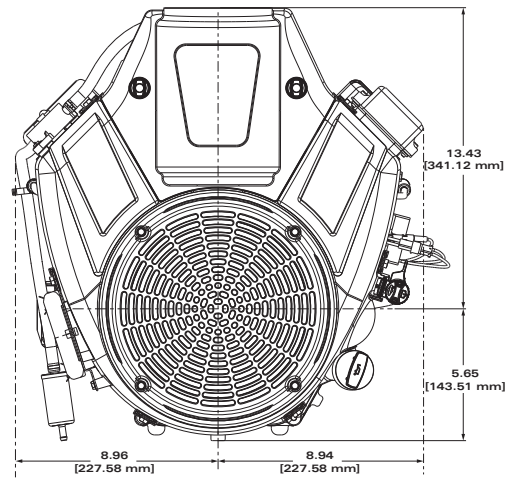
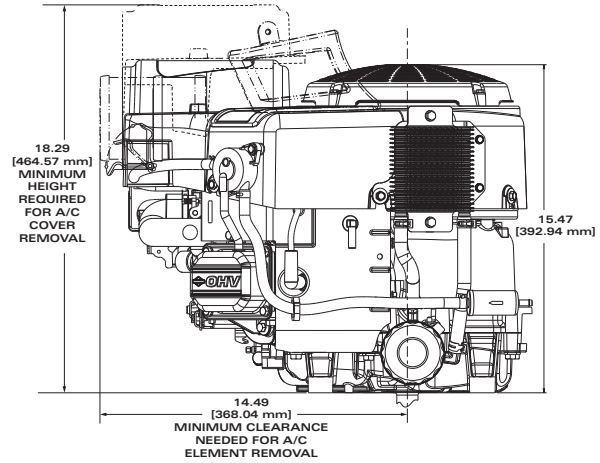
COMMERCIAL SERIES 25.0 GROSS HP†

724 CC

Bore 3.12 in. (79.20 mm)

Stroke 2.89 in. (73.40 mm)

Oil Capacity 64 fl. oz. (1.90 L)



FEATURES:

Mechanical compression release for easy, reliable starting

Chrome plated exhaust valves reduce valve wear providing longer life

Patented 5-Step Debris Management System for extended durability under heavy debris conditions

Super-finished crank pin bearing for reduced friction and wear

Buyer protection package provides two-year limited consumer engine warranty**

MTT	Crankshaft #	P.T.O. Diameter	Drilled & Tapped	Keyway	Length	Starter Position	Cyclonic Air Filter	Controls	Oil Cooler	Fuel Pump, Integral	Oil Pump with Filter	Choke-A-Matic	ReadyStart®	Remote Choke	Ground Wire Terminal	EFIM	Top Governor Speed	Notes
44T977																		
0009-G1	796237	1 in.	7/16-20	1/4-Str.	3-5/32	X	R	X	X	X	X	X			X		3300	6,14,15
0011-G1	796256	1-1/8 in.	7/16-20	1/4-Str.	4-19/64	X	R	X	X	X	X	X			X		3300	6,14,15

†All power levels are stated gross horsepower at 3600 RPM per SAE J1940 as rated by Briggs & Stratton.

(6) Engine equipped with 12 Volt Gear Drive Starter and 16 AMP DC Alternator

(14) Suppress Afterfire Solenoid

(15) Static Cover Installed

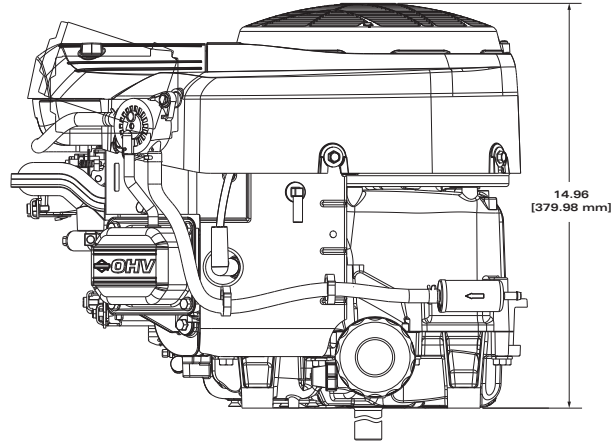
PROFESSIONAL SERIES™ 27.0 GROSS HP†

810 CC

Bore 3.30 in. (83.81 mm)

Stroke 2.90 in. (73.41 mm)

Oil Capacity 64 fl. oz. (1.90 L)



FEATURES:

Mechanical compression release for easy, reliable starting

Chrome plated exhaust valves reduce valve wear providing longer life

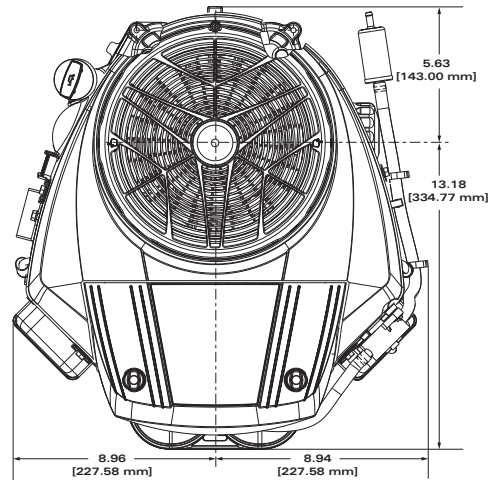
Premium high capacity air, oil and fuel filters provide longer maintenance intervals and more engine protection

Increased cylinder block structure for added strength and durability

Cooling fin inspection panels speed debris inspection and cleaning

Full pressure lubrication with spin-on oil filter assures controlled lubrication for extended component life

Buyer protection package provides two-year limited consumer and commercial engine warranty**



MTT	Crankshaft #	P.T.O. Diameter	Drilled & Tapped	Keyway	Length	Starter Position	Cyclonic Air Filter	Controls	Oil Cooler	Fuel Pump, Integral	Oil Pump with Filter	Choke-A-Matic	ReadyStart®	Remote Choke	Ground Wire Terminal	EMF	Top Governor Speed	Notes
49S877																		
0007-G1	796857	1 in.	7/16-20	1/4-Str.	3-5/32			R	X	X	X				X	X	3300	6,14
0008-G1	796855	1-1/8 in.	7/16-20	1/4-Str.	4-19/64			R	X	X	X				X	X	3300	6,14
0015-G1	796855	1-1/8 in.	7/16-20	1/4-Str.	4-19/64			R	X	X	X	X			X		3300	6,14

†All power levels are stated gross horsepower at 3600 RPM per SAE J1940 as rated by Briggs & Stratton.

(6) Engine equipped with 12 Volt Gear Drive Starter and 16 AMP DC Alternator

(14) Suppress Afterfire Solenoid

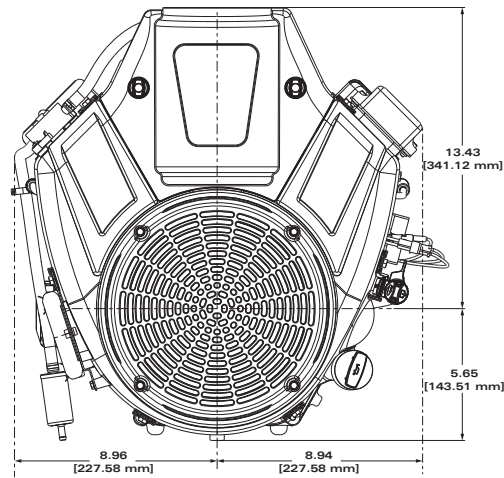
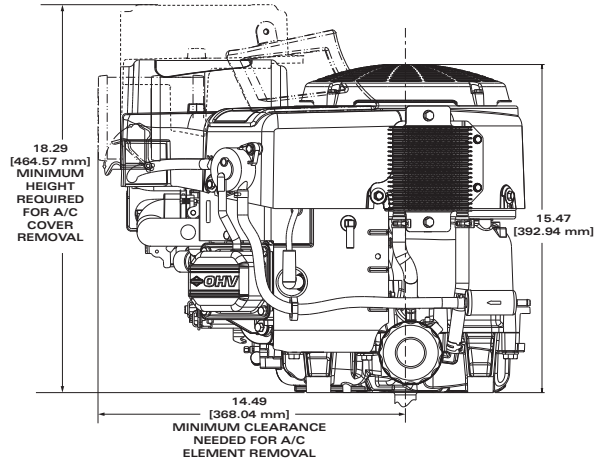
COMMERCIAL SERIES 27.0 GROSS HP†

810 CC

Bore 3.30 in. (83.81 mm)

Stroke 2.90 in. (73.41 mm)

Oil Capacity 64 fl. oz. (1.90 L)



FEATURES:

Patented 5-Step Debris Management System for extended durability under heavy debris conditions

Cyclonic air filter provides ultimate debris protection and lasts 2X longer than panel-style air cleaner systems

Increased cylinder block structure for added strength and durability

Cooling fin inspection panels speed debris inspection and cleaning

Full pressure lubrication with spin-on oil filter assures controlled lubrication for extended component life

Buyer protection package provides two-year limited consumer and commercial engine warranty**

MTT	Crankshaft #	P.T.O. Diameter	Drilled & Tapped	Keyway	Length	Starter Position	Cyclonic Air Filter	Controls	Oil Cooler	Fuel Pump, Integral	Oil Pump with Filter	Choke-A-Matic	ReadyStart®	Remote Choke	Ground Wire Terminal	EMF	Top Governor Speed	Notes
49T877																		
0004-G1	796855	1-1/8 in.	7/16-20	1/4-Str.	4-19/64	X	R	X	X	X				X	X		3600	6,14,15
0015-G1	796857	1 in.	7/16-20	1/4-Str.	3-5/32	X	R	X	X	X					X	X	3400	6,14,15
0017-G1	796857	1 in.	7/16-20	1/4-Str.	3-5/32	X	R	X	X	X				X	X		3600	6,14,15

†All power levels are stated gross horsepower at 3600 RPM per SAE J1940 as rated by Briggs & Stratton.

(6) Engine equipped with 12 Volt Gear Drive Starter and 16 AMP DC Alternator

(14) Suppress Afterfire Solenoid

(15) Static Cover Installed

Engines in bold type have promotional pricing

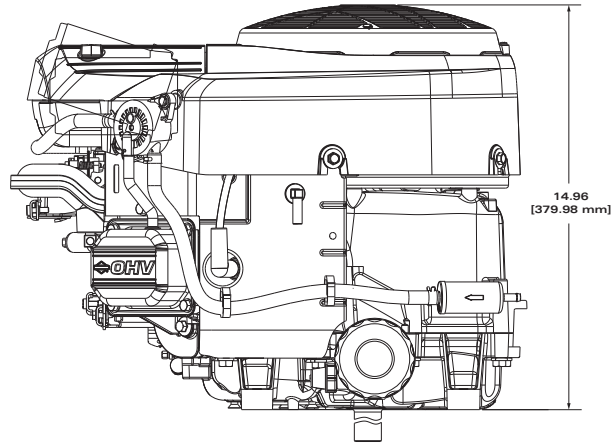
PROFESSIONAL SERIES™ 30.0 GROSS HP†

810 CC

Bore 3.30 in. (83.81 mm)

Stroke 2.90 in. (73.41 mm)

Oil Capacity 64 fl. oz. (1.90 L)



FEATURES:

Mechanical compression release for easy, reliable starting

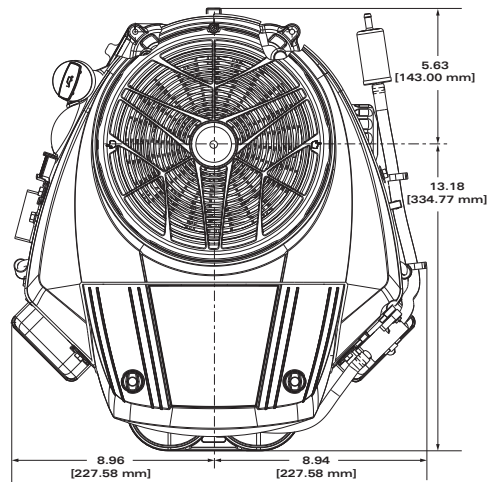
Chrome plated exhaust valves reduce valve wear providing longer life

Premium high capacity air, oil and fuel filters provide longer maintenance intervals and more engine protection

Super-finished crank pin bearing for reduced friction and wear

Advanced Debris Management System with a dual seal, cartridge-style air filter provides maximum protection and extends engine life

Buyer protection package provides two-year limited consumer engine warranty**



MTT	Crankshaft #	P.T.O. Diameter	Drilled & Tapped	Keyway	Length	Starter Position	Cyclonic Air Filter	Controls	Oil Cooler	Fuel Pump, Integral	Oil Pump with Filter	Choke-A-Matic	ReadyStart®	Remote Choke	Ground Wire Terminal	EFIM	Top Governor Speed	Notes
49G575										X	X						3750	2,10

†All power levels are stated gross horsepower at 3600 RPM per SAE J1940 as rated by Briggs & Stratton.

(2) Engine equipped with 12 volt Gear Drive Starter

(10) Gaseous Fuel (LP/NG)

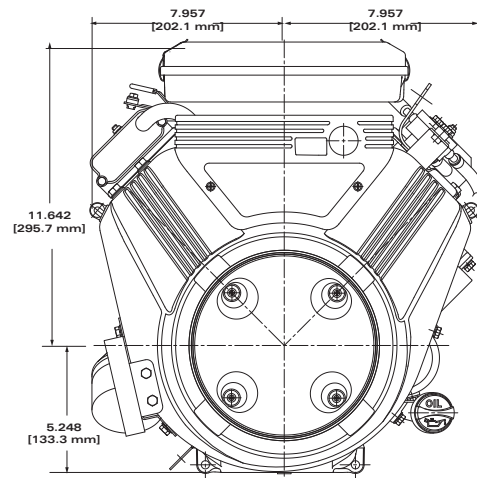
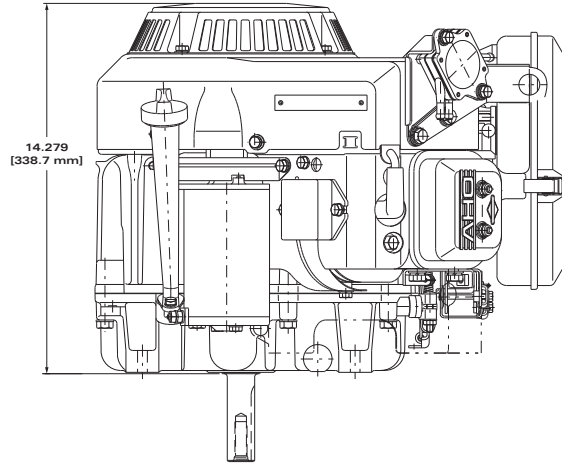
VANGUARD™ 16.0 GROSS HP†

479 CC

Bore 2.68 in. (68 mm)

Stroke 2.60 in. (66 mm)

Oil Capacity 48 fl. oz. (1.4 L)



FEATURES:

Dura-Bore™ cast iron cylinder sleeve for extended life

Dependable float feed type carburetor with integral fuel pump for remote mount fuel tank

Dual-Clean™ air cleaner pleated paper filter with a foam pre-cleaner ensures maximum protection for extended engine life

Full pressure lubrication with spin-on oil filter assures controlled lubrication for extended component life

Overhead valve design (OHV) for cooler operation and longer valve life

Buyer protection package provides three-year commercial limited warranty**

MTT	Crankshaft #	P.T.O. Diameter	Drilled & Tapped	Keyway	Length	Starter Position	Cyclonic Air Filter	Controls	Oil Cooler	Fuel Pump, Integral	Oil Pump with Filter	Choke-A-Matic	ReadyStart®	Remote Choke	Ground Wire Terminal	EFM	Top Governor Speed	Notes
305772																		
3020	692159	1 in.	7/16-20	1/4-Str.	3-3/16	9:00		R		X	X			X	X		3600	
305777																		
3032	692159	1 in.	7/16-20	1/4-Str.	3-3/16			R		X	X			X	X		3300	6,14

†All power levels are stated gross horsepower at 3600 RPM per SAE J1940 as rated by Briggs & Stratton.

(6) Engine equipped with 12 Volt Gear Drive Starter and 16 AMP DC Alternator

(14) Suppress Afterfire Solenoid

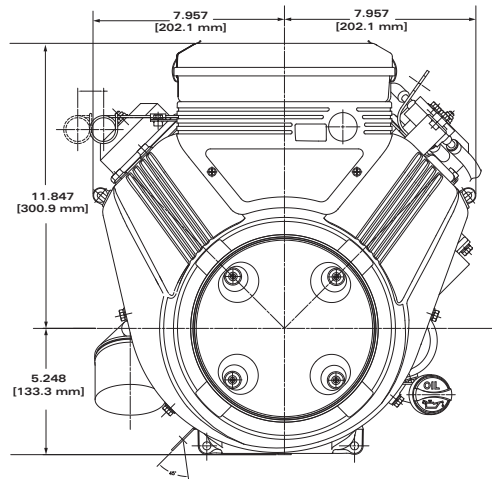
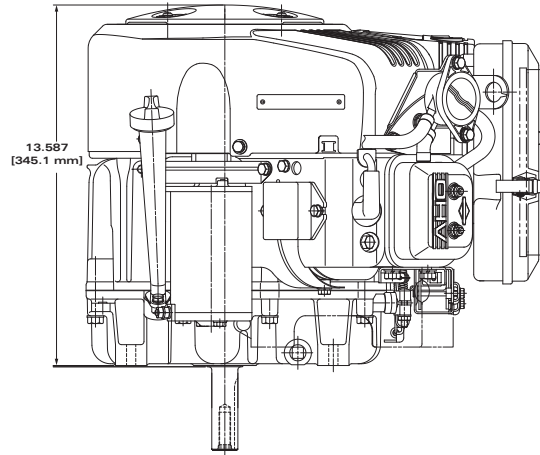
VANGUARD™ 18.0 GROSS HP†

570 CC

Bore 2.83 in. (72.00 mm)

Stroke 2.76 in. (70.00 mm)

Oil Capacity 48 fl. oz. (1.40 L)



FEATURES:

Dura-Bore™ cast iron cylinder sleeve for extended life

Dependable float feed type carburetor with integral fuel pump for remote mount fuel tank

Dual-Clean™ air cleaner pleated paper filter with a foam pre-cleaner ensures maximum protection for extended engine life

Full pressure lubrication with spin-on oil filter assures controlled lubrication for extended component life

Overhead valve design (OHV) for cooler operation and longer valve life

Buyer protection package provides three-year commercial limited warranty**

MTT	Crankshaft #	P.T.O. Diameter	Drilled & Tapped	Keyway	Length	Starter Position	Cyclonic Air Filter	Controls	Oil Cooler	Fuel Pump, Integral	Oil Pump with Filter	Choke-A-Matic	ReadyStart®	Remote Choke	Ground Wire Terminal	EFIM	Top Governor Speed	Notes
356776																		
0006-G1	843796	1 in.	7/16-20	1/4-Str.	3-3/16	9:00	R			X	X			X	X		3600	1
356777																		
3034-G1	843796	1 in.	7/16-20	1/4-Str.	3-3/16			R		X	X			X	X		3300	6,14
3137-G1	843796	1 in.	7/16-20	1/4-Str.	3-3/16			R	X	X	X			X	X		3350	7,14

†All power levels are stated gross horsepower at 3600 RPM per SAE J1940 as rated by Briggs & Stratton.

(1) Engine equipped with 9 AMP DC Battery-less Alternator

(6) Engine equipped with 12 Volt Gear Drive Starter and 16 AMP DC Alternator

(7) Engine equipped with 12 Volt Solenoid Shift Starter and 16 AMP DC Alternator

(14) Suppress Afterfire Solenoid

Engines in bold type have promotional pricing

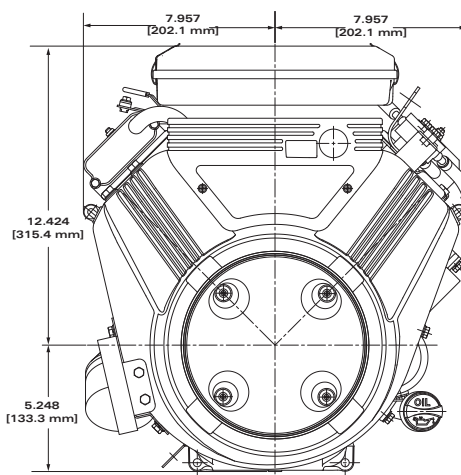
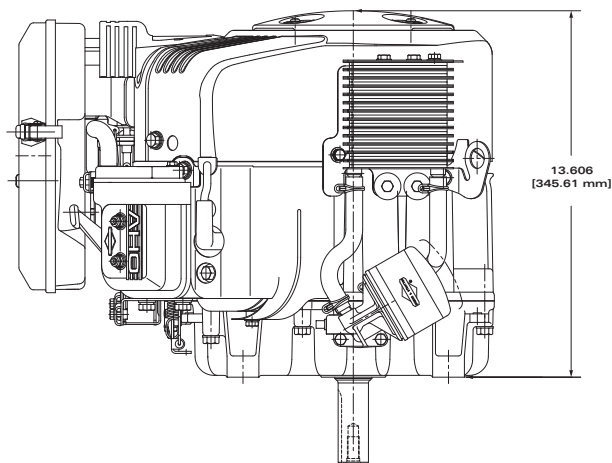
VANGUARD™ 23.0 GROSS HP†

627 CC

Bore 2.97 in. (75.50 mm)

Stroke 2.76 in. (70.00 mm)

Oil Capacity 48 fl. oz. (1.40 L)



FEATURES:

Dura-Bore™ cast iron cylinder sleeve for extended life

Dependable float feed type carburetor with integral fuel pump for remote mount fuel tank

Dual-Clean™ air cleaner pleated paper filter with a foam pre-cleaner ensures maximum protection for extended engine life

Full pressure lubrication with spin-on oil filter assures controlled lubrication for extended component life

Overhead valve design (OHV) for cooler operation and longer valve life

Buyer protection package provides three-year commercial limited warranty**

MTT	Crankshaft #	P.T.O. Diameter	Drilled & Tapped	Keyway	Length	Starter Position	Cyclonic Air Filter	Controls	Oil Cooler	Fuel Pump, Integral	Oil Pump with Filter	Choke-A-Matic	ReadyStart®	Remote Choke	Ground Wire Terminal	EFM	Top Governor Speed	Notes
386777																		
3024-G1	843813	1-1/8 in.	7/16-20	1/4-Str.	3-3/16			R	X	X	X			X	X		3600	6,14
3025-G1	843816	1-1/8 in.	7/16-20	1/4-Str.	4			R	X	X	X			X	X		3600	6,14
3026-G1	843816	1-1/8 in.	7/16-20	1/4-Str.	4		X	R	X	X	X			X	X		3600	6,14,15
3036-G1	843809	1 in.	7/16-20	1/4-Str.	3-3/16			R	X	X	X			X	X		3300	6,14

†All power levels are stated gross horsepower at 3600 RPM per SAE J1940 as rated by Briggs & Stratton.

(6) Engine equipped with 12 Volt Gear Drive Starter and 16 AMP DC Alternator

(14) Suppress Afterfire Solenoid

(15) Static Cover Installed

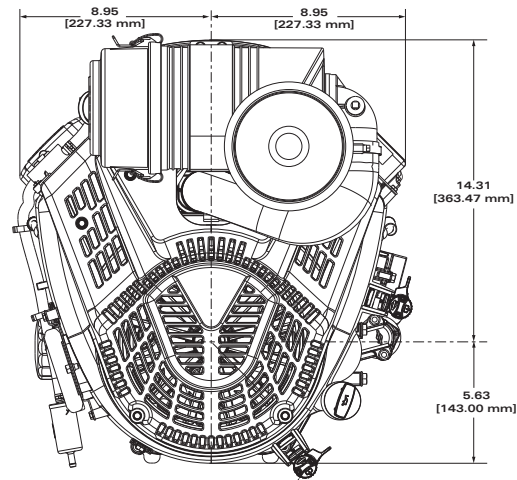
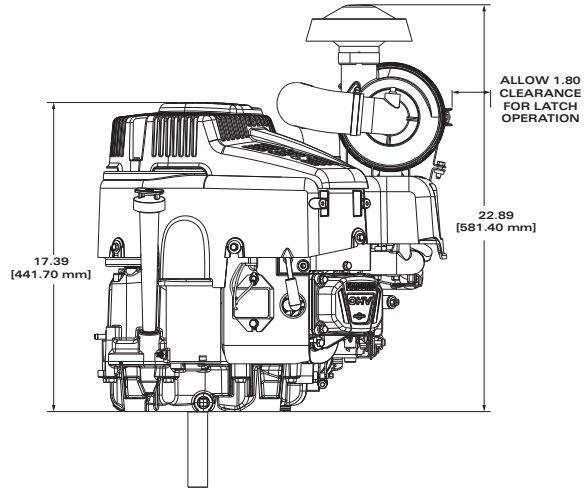
VANGUARD™ 810 26.0 GROSS HP†

810 CC

Bore 3.30 in. (83.81 mm)

Stroke 2.90 in. (73.41 mm)

Oil Capacity 67 fl. oz. (1.90 L)



FEATURES:

Cyclonic air filter provides ultimate debris protection and lasts 2X longer than panel-style air cleaner systems

Increased cylinder block structure for added strength and durability

Cooling fin inspection panels speed debris inspection and cleaning

Full pressure lubrication with spin-on oil filter assures controlled lubrication for extended component life

Buyer protection package provides three-year commercial limited warranty**

MTT	Crankshaft #	P.T.O. Diameter	Drilled & Tapped	Keyway	Length	Starter Position	Cyclonic Air Filter	Controls	Oil Cooler	Fuel Pump, Integral	Oil Pump with Filter	Choke-A-Matic	ReadyStart®	Remote Choke	Ground Wire Terminal	EFM	Top Governor Speed	Notes
49R977																		
0003-G1	593609	1-1/8 in.	7/16-20	1/4-Str.	4-19/64		X	R	X	X	X			X	X		3600	7,15
0004-G1	593609	1-1/8 in.	7/16-20	1/4-Str.	4-19/64		X	R	X	X	X				X	X	3600	7,15
0008-G1	593723	1 in.	7/16-20	1/4-Str.	3-5/32		X	R	X	X	X			X	X		3650	7,15

†All power levels are stated gross horsepower at 3600 RPM per SAE J1940 as rated by Briggs & Stratton.

(7) Engine equipped with 12 Volt Solenoid Shift Starter and 16 AMP DC Alternator

(15) Static Cover Installed

Engines in bold type have promotional pricing

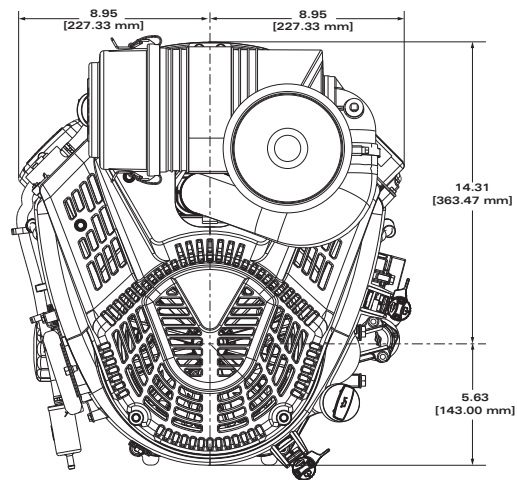
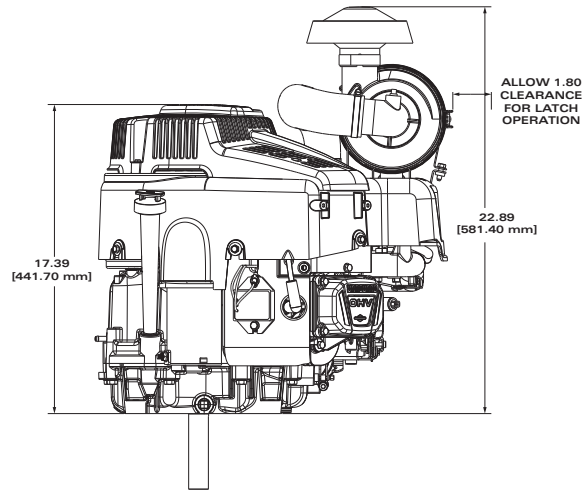
VANGUARD™ 810 EFI 28.0 GROSS HP†

810 CC

Bore 3.30 in. (83.81 mm)

Stroke 2.90 in. (73.41 mm)

Oil Capacity 67 fl. oz. (1.90 L)



FEATURES:

Electronic Fuel Injection

Cyclonic air filter provides ultimate debris protection and lasts 2X longer than panel-style air cleaner systems

Increased cylinder block structure for added strength and durability

Cooling fin inspection panels speed debris inspection and cleaning

Full pressure lubrication with spin-on oil filter assures controlled lubrication for extended component life

Buyer protection package provides three-year commercial limited warranty**

MTT	Crankshaft #	P.T.O. Diameter	Drilled & Tapped	Keyway	Length	Starter Position	Cyclonic Air Filter	Controls	Oil Cooler	Fuel Pump, Integral	Oil Pump with Filter	Choke-A-Matic	ReadyStar®	Remote Choke	Ground Wire Terminal	EFM	Top Governor Speed	Notes
49E877																		
0005-G1	593609	1-1/8 in.	7/16-20	1/4-Str.	4-19/64		X	R	X	X					X		3600	8,15,16
0006-G1	593723	1 in.	7/16-20	1/4-Str.	3-5/32		X	R	X	X					X		3600	8,15,16

†All power levels are stated gross horsepower at 3600 RPM per SAE J1940 as rated by Briggs & Stratton.

Engine Is Without Muffler

(8) Engine equipped with 12 Volt Solenoid Shift Starter and 20 AMP DC Alternator

(15) Static Cover Installed

(16) EFI

Engines in bold type have promotional pricing

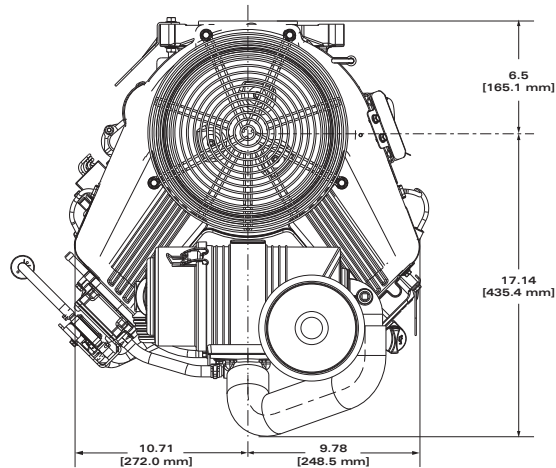
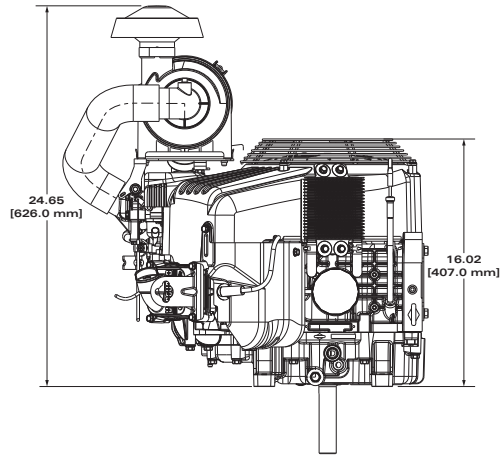
VANGUARD™ 32.0 GROSS HP†

896 CC

Bore 3.37 in. (85.50 mm)

Stroke 3.07 in. (78.00 mm)

Oil Capacity 82 fl. oz. (2.40 L)



FEATURES:

Dura-Bore™ cast iron cylinder sleeve for extended life

Dependable float feed type carburetor with integral fuel pump for remote mount fuel tank

Cyclonic air filter provides ultimate debris protection and lasts 2X longer than panel-style air cleaner systems

Full pressure lubrication with spin-on oil filter assures controlled lubrication for extended component life

Overhead valve design (OHV) for cooler operation and longer valve life

Buyer protection package provides three-year commercial limited warranty**

MTT	Crankshaft #	P.T.O. Diameter	Drilled & Tapped	Keyway	Length	Starter Position	Cyclonic Air Filter	Controls	Oil Cooler	Fuel Pump, Integral	Oil Pump with Filter	Choke-A-Matic	ReadyStart®	Remote Choke	Ground Wire Terminal	EFM	Top Governor Speed	Notes
543777	0010-J1	842551	1-1/8 in.	7/16-20	1/4-Str.	4-1/2	X	R	X	X	X			X			3800	8,14

†All power levels are stated gross horsepower at 3600 RPM per SAE J1940 as rated by Briggs & Stratton.

Engine Is Without Muffler

(8) Engine equipped with 12 Volt Solenoid Shift Starter and 20 AMP DC Alternator

(14) Suppress Afterfire Solenoid

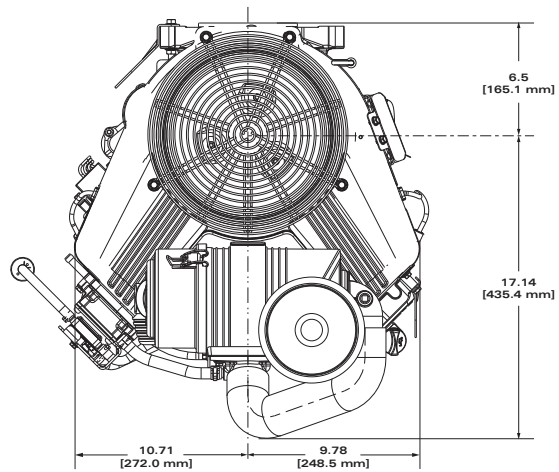
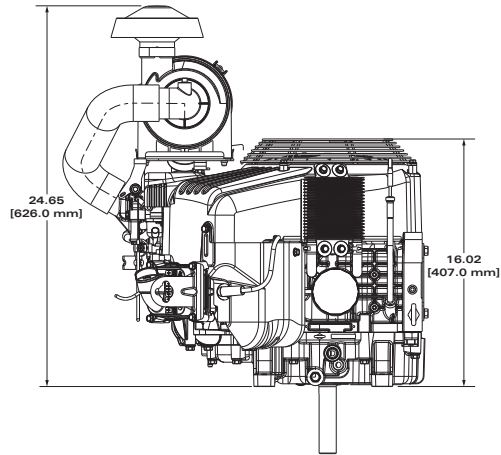
VANGUARD™ 36.0 GROSS HP†

993 CC

Bore 3.37 in. (85.50 mm)

Stroke 3.41 in. (86.50 mm)

Oil Capacity 82 fl. oz. (2.40 L)



FEATURES:

Dura-Bore™ cast iron cylinder sleeve for extended life

Dependable float feed type carburetor with integral fuel pump for remote mount fuel tank

Cyclonic air filter provides ultimate debris protection and lasts 2X longer than panel-style air cleaner systems

Full pressure lubrication with spin-on oil filter assures controlled lubrication for extended component life

Overhead valve design (OHV) for cooler operation and longer valve life

Buyer protection package provides three-year commercial limited warranty**

MTT	Crankshaft #	P.T.O. Diameter	Drilled & Tapped	Keyway	Length	Starter Position	Cyclonic Air Filter	Controls	Oil Cooler	Fuel Pump, Integral	Oil Pump with Filter	Choke-A-Matic	ReadyStart®	Remote Choke	Ground Wire Terminal	EFM	Top Governor Speed	Notes
613777																		
0002-J1	843354	1-1/8 in.	7/16-20	1/4-Str.	4-1/2			R	X	X	X			X	X		4600	14,17
0005-B1	842268	1-1/8 in.	7/16-20	1/4-Str.	3			R	X	X	X			X	X		4600	17
0116-J1	843354	1-1/8 in.	7/16-20	1/4-Str.	4-1/2		X	R	X	X	X			X	X		3600	8,14

†All power levels are stated gross horsepower at 3600 RPM per SAE J1940 as rated by Briggs & Stratton.

(8) Engine equipped with 12 Volt Solenoid Shift Starter and 20 AMP DC Alternator

(14) Suppress Afterfire Solenoid

(17) Engine equipped with 12 Volt Solenoid Shift Starter and 20/50 AMP DC Alternator

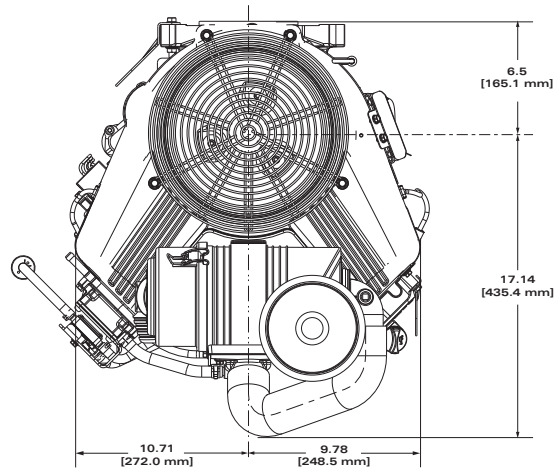
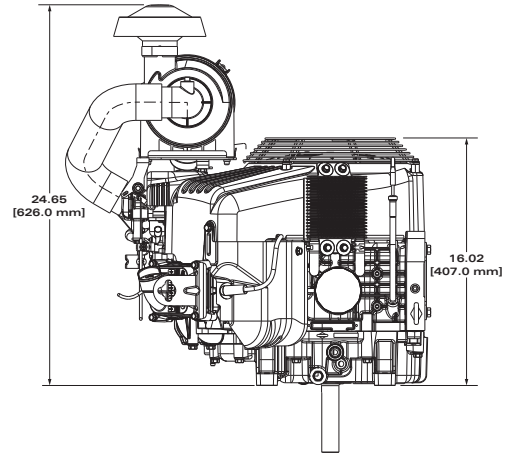
VANGUARD™ EFI 37.0 GROSS HP†

993 CC

Bore 3.42 in. (85.50 mm)

Stroke 3.46 in. (86.50 mm)

Oil Capacity 82 fl. oz. (2.40 L)



FEATURES:

Electronic Fuel Injection

Dura-Bore™ cast iron cylinder sleeve for extended life

Cyclonic air filter provides ultimate debris protection and lasts 2X longer than panel-style air cleaner systems

Full pressure lubrication with spin-on oil filter assures controlled lubrication for extended component life

Overhead valve design (OHV) for cooler operation and longer valve life

Buyer protection package provides three-year commercial limited warranty**

MTT	Crankshaft #	P.T.O. Diameter	Drilled & Tapped	Keyway	Length	Starter Position	Cyclonic Air Filter	Controls	Oil Cooler	Fuel Pump, Integral	Oil Pump with Filter	Choke-A-Matic	ReadyStart®	Remote Choke	Ground Wire Terminal	EFIM	Top Governor Speed	Notes
61E877																		
0004-J1	843354	1-1/8 in.	7/16-20	1/4-Str.	4-1/2		X	R	X		X						3600	8,15,16

†All power levels are stated gross horsepower at 3600 RPM per SAE J1940 as rated by Briggs & Stratton.

Engine Is Without Muffler

(8) Engine equipped with 12 Volt Solenoid Shift Starter and 20 AMP DC Alternator

(15) Static Cover Installed

(16) EFI

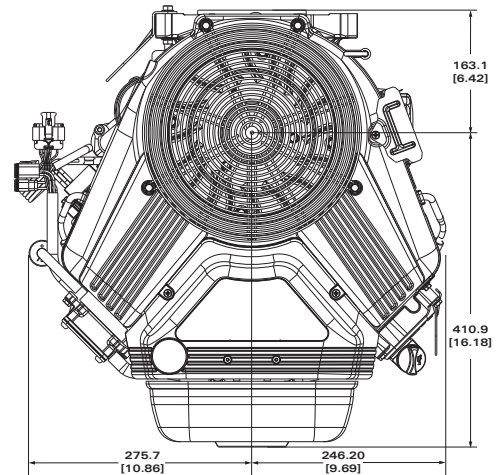
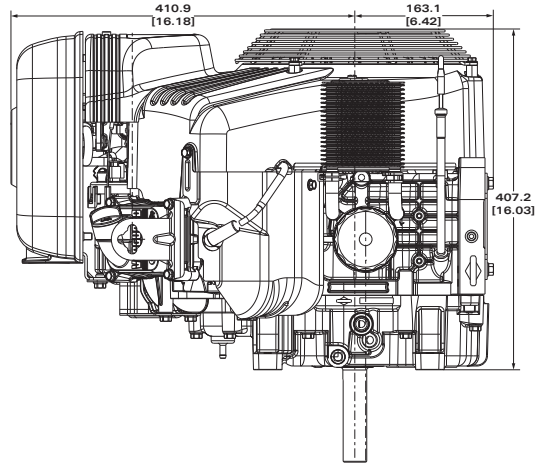
VANGUARD™ 37.0 GROSS HP†

993 CC

Bore 3.42 in. (85.50 mm)

Stroke 3.46 in. (86.50 mm)

Oil Capacity 82 fl. oz. (2.40 L)



FEATURES:

Marine, weather resistant electrical connectors

Electronic Fuel Injection

Dura-Bore™ cast iron cylinder sleeve for extended life

Dual-Clean™ air cleaner pleated paper filter with a foam pre-cleaner ensures maximum protection for extended engine life

Full pressure lubrication with spin-on oil filter assures controlled lubrication for extended component life

Overhead valve design (OHV) for cooler operation and longer valve life

Buyer protection package provides three-year commercial limited warranty**

MTT	Crankshaft #	P.T.O. Diameter	Drilled & Tapped	Keyway	Length	Starter Position	Cyclonic Air Filter	Controls	Oil Cooler	Fuel Pump, Integral	Oil Pump with Filter	Choke-A-Matic	ReadyStart®	Remote Choke	Ground Wire Terminal	EFIM	Top Governor Speed	Notes
61E977																		
0003-J1	843354	1-1/8 in.	7/16-20	1/4-Str.	4-1/2			ECU	X		X				X		4750	15,16,17
0004-J1	842268	1-1/8 in.	7/16-20	1/4-Str.	3			ECU	X		X				X		4750	15,16,17

†All power levels are stated gross horsepower at 3600 RPM per SAE J1940 as rated by Briggs & Stratton.

(15) Static Cover Installed

(16) EFI

(17) Engine equipped with 12 Volt Solenoid Shift Starter and 20/50 AMP DC Alternator

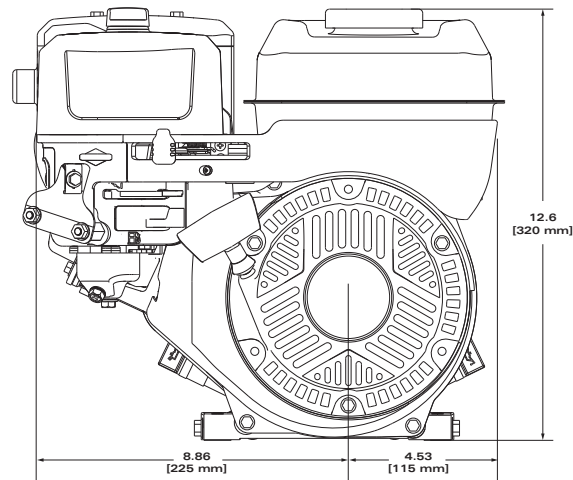
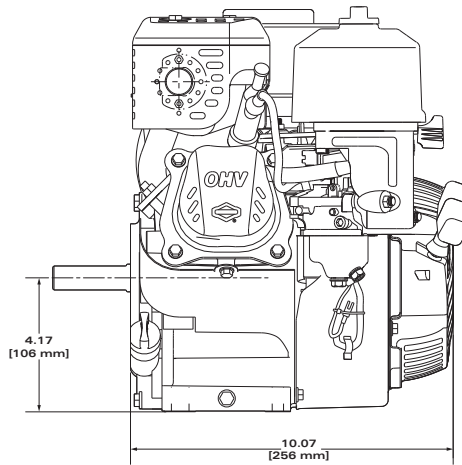
XR PROFESSIONAL 5.50 GROSS TORQUE*

127 CC

Bore 2.44 in. (62.00 mm)

Stroke 1.65 in. (42.10 mm)

Oil Capacity 18-20 fl. oz. (0.53-0.59 L)



FEATURES:

Dura-Bore™ cast iron cylinder sleeve for extended life

Float carburetor for consistent easy starting

Maxi-Clean™ automotive-type pleated paper air filter provides superior protection for long engine life

Overhead valve design (OHV) for cooler operation and longer valve life

Fuel Shut Off

Mechanical Governor

Buyer protection package provides two-year limited consumer engine warranty**

MTT	Crankshaft #	P.T.O. Diameter	Drilled & Tapped	Keyway	Length	Starter Position	Controls	Manual Choke	Flange Mtg.	Accessory Mtg. Boss	Ground Wire Terminal	Rocker Stop Switch	Key Stop Switch	Oil Guard	Fuel Tank (Quarts)	Top Governor Speed	Notes
83132																	
1035-F1	797529	3/4 in.	5/16-24	3/16-Str.	2-27/64	12:00	R/AG/MF	X	X		X	X			2.1	3600	11
1036-F1	797695	5/8 in.	Threaded 5/8-18		2-27/64	12:00	R/AG/MF	X	X		X	X			2.1	4000	11
1038-F1	797690	25/32 Taper	5/16-24	----	2-13/16	12:00	FC	X	X			X			2.1	3750	11
1040-F1	797709	5/8 in.	1/4-28	3/16-Str.	2-27/64	12:00	R/AG/MF	X	X		X	X			2.1	3300	
83152																	
1049-F1	797689	3/4 in.	6:1 CCW	3/16-Str.	1-13/16	12:00	R/AG/MF	X			X	X			2.1	3600	11

*All power levels are stated gross torque at 2600 RPM per SAE J1940 as rated by Briggs & Stratton.

(11) PTO Ball Bearing

Engines in bold type have promotional pricing

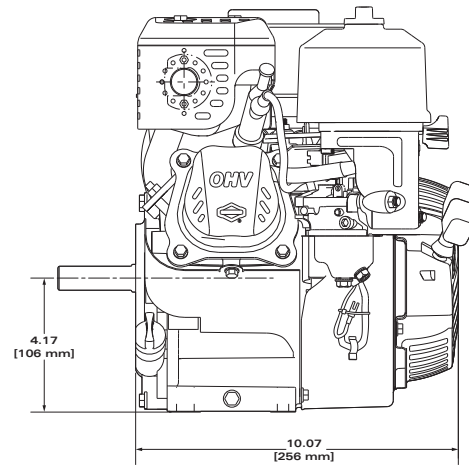
CR 7.50 GROSS TORQUE*

163 CC

Bore 2.68 in. (68.00 mm)

Stroke 1.77 in. (45.00 mm)

Oil Capacity 18-20 fl. oz. (0.53-0.59 L)



FEATURES:

Dura-Bore™ cast iron cylinder sleeve for extended life

Float carburetor for consistent easy starting

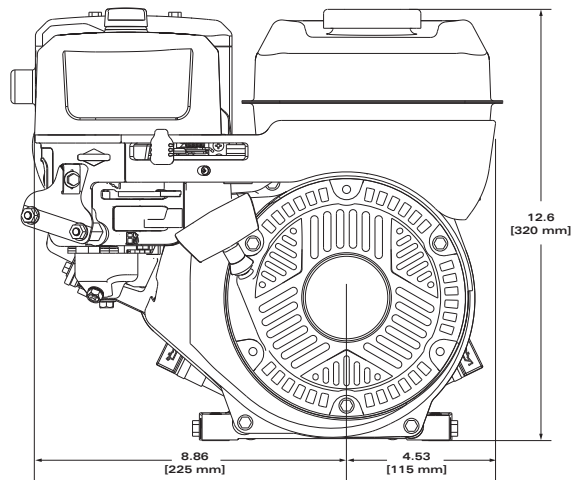
Maxi-Clean™ automotive-type pleated paper air filter provides superior protection for long engine life

Overhead valve design (OHV) for cooler operation and longer valve life

Fuel Shut Off

Mechanical Governor

Buyer protection package provides two-year limited consumer engine warranty**



MTT	Crankshaft #	P.T.O. Diameter	Drilled & Tapped	Keyway	Length	Starter Position	Controls	Manual Choke	Flange Mtg.	Accessory Mtg. Boss	Ground Wire Terminal	Rocker Stop Switch	Key Stop Switch	Oil Guard	Fuel Tank (Quarts)	Top Governor Speed	Notes
10R232																	
0009-F1		3/4 in.	5/16-24		2-7/16	10:00	MF/R	X	X		X	X			3.2	3750	11

*All power levels are stated gross torque at 2600 RPM per SAE J1940 as rated by Briggs & Stratton.

(11) PTO Ball Bearing

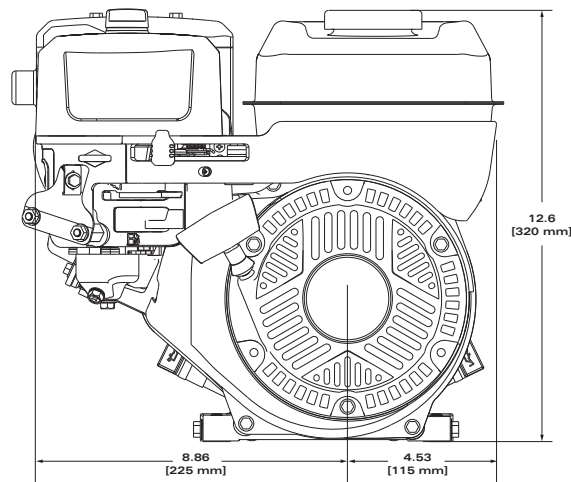
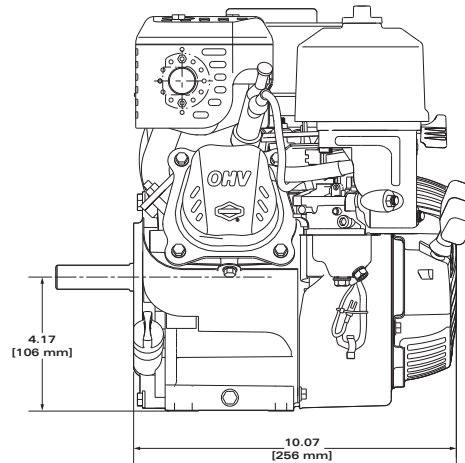
XR PROFESSIONAL 7.50 GROSS TORQUE*

163 CC

Bore 2.68 in. (68.00 mm)

Stroke 1.77 in. (45.00 mm)

Oil Capacity 18-20 fl. oz. (0.53-0.59 L)



FEATURES:

Dura-Bore™ cast iron cylinder sleeve for extended life

Float carburetor for consistent easy starting

Maxi-Clean™ automotive-type pleated paper air filter provides superior protection for long engine life

Overhead valve design (OHV) for cooler operation and longer valve life

Fuel Shut Off

Mechanical Governor

Buyer protection package provides two-year limited consumer engine warranty**

MTT	Crankshaft #	P.T.O. Diameter	Drilled & Tapped	Keyway	Length	Starter Position	Controls	Manual Choke	Flange Mtg.	Accessory Mtg. Boss	Ground Wire Terminal	Rocker Stop Switch	Key Stop Switch	Oil Guard	Fuel Tank (Quarts)	Top Governor Speed	Notes
106232																	
XXXX	509617	3/4 in.	5/16-24		2-7/16	10:00	MF/R	X	X		X	X			3.2	3600	11
XXXX	509618	20mm	M8X1.25		2	10:00	MF/R	X	X		X	X			3.2	3600	11

*All power levels are stated gross torque at 2600 RPM per SAE J1940 as rated by Briggs & Stratton.

(11) PTO Ball Bearing

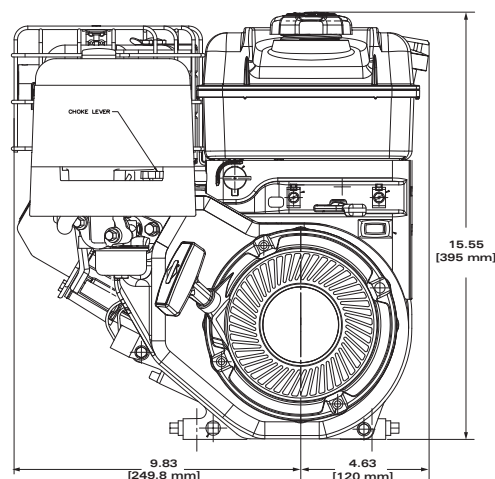
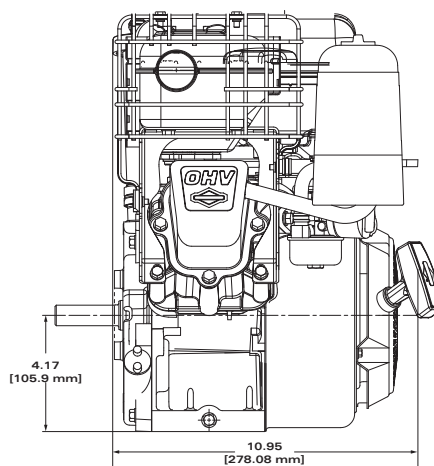
8.00 GROSS TORQUE*

205 CC

Bore 2.69 in. (68.30 mm)

Stroke 2.20 in. (55.90 mm)

Oil Capacity 18-20 fl. oz. (0.53-0.59 L)



FEATURES:

Kool Bore™ aluminum alloy bore for cooler operation

Float carburetor for consistent easy starting

Maxi-Clean™ automotive type pleated paper air filter provides superior protection for long engine life

Overhead valve design (OHV) for cooler operation and longer valve life

Mechanical Governor

Buyer protection package provides two-year limited consumer engine warranty**

MTT	Crankshaft #	P.T.O. Diameter	Drilled & Tapped	Keyway	Length	Starter Position	Controls	Manual Choke	Flange Mtg.	Accessory Mtg. Boss	Ground Wire Terminal	Rocker Stop Switch	Key Stop Switch	Oil Guard	Fuel Tank (Quarts)	Top Governor Speed	Notes
12T102																	
0023-F8	797070	3/4 in.	5/16-24	3/16-Str.	2-7/16	10:30	R/AG/MF	X	X	X					3.2	3800	
0060-F8	797075	1 in.	3/8-24	1/4-Str.	2-57/64	10:30	R/AG/MF	X	X	X					3.2	3800	
12T132																	
0035-F8	797078	5/8 in.	Threaded 5/8-18		2-27/64	10:30	R/AG/MF	X	X	X					3.2	4000	11
0036-F8	797072	3/4 in.	5/16-24	3/16-Str.	2-7/16	10:30	R/AG/MF	X	X	X					3.2	3600	11
12T152																	
0049-F8	795927	3/4 in.	6:1 CCW	3/16-Str.	1-13/16	10:30	R/AG/MF	X		X					3.2	3600	

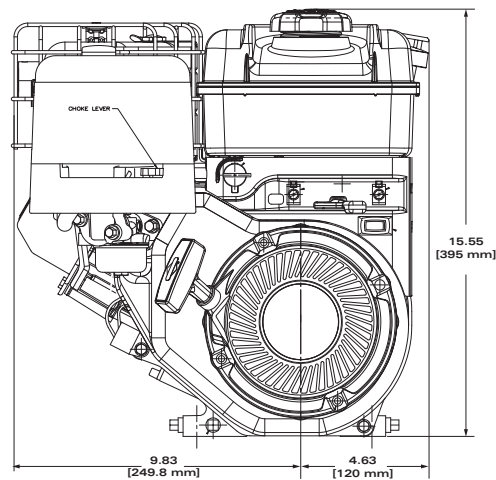
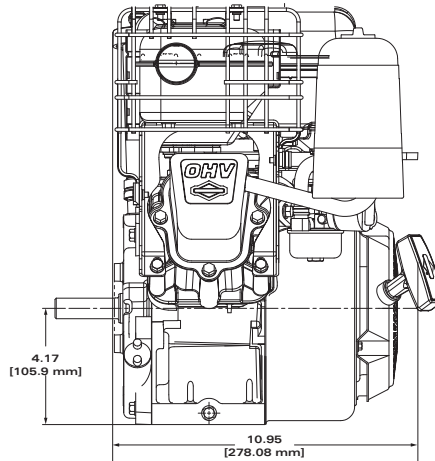
*All power levels are stated gross torque at 2600 RPM per SAE J1940 as rated by Briggs & Stratton.

(11) PTO Ball Bearing

9.00 GROSS TORQUE*

205 CC

Bore 2.69 in. (68.30 mm)
 Stroke 2.20 in. (55.90 mm)
 Oil Capacity 18-20 fl. oz. (0.53-0.59 L)



FEATURES:

- Dura-Bore™ cast iron cylinder sleeve for extended life
- Float carburetor for consistent easy starting
- Dual-Clean™ air cleaner pleated paper filter with a foam pre-cleaner ensures maximum protection for extended engine life
- Overhead valve design (OHV) for cooler operation and longer valve life
- Mechanical Governor
- Buyer protection package provides two-year limited consumer engine warranty****

MTT	Crankshaft #	P.T.O. Diameter	Drilled & Tapped	Keyway	Length	Starter Position	Controls	Manual Choke	Flange Mtg.	Accessory Mtg. Boss	Ground Wire Terminal	Rocker Stop Switch	Key Stop Switch	Oil Guard	Fuel Tank (Quarts)	Top Governor Speed	Notes
12S402																	
0020-F8	797070	3/4 in.	5/16-24	3/16-Str.	2-7/16	10:30	R/AG/MF	X			X				3.2	3400	
0022-F8	797074	3/4 in.	3/8-24	3/16-Str.	1-29/64	10:30	R/AG/MF	X	X		X				3.2	3400	
0023-F8	797070	3/4 in.	5/16-24	3/16-Str.	2-7/16	10:30	R/AG/MF	X	X		X				3.2	3800	
0026-F8	797071	25/32 Taper	5/16-24	----	2-13/16	10:30	AG	X	X			X			3.2	3750	
0028-F8	699452	7/8 Taper	3/8-24	3/16-Str.	2-23/32	10:30	R/AG/MF	X	X			X			3.2	3600	
0060-F8	797075	1 in.	3/8-24	1/4-Str.	2-57/64	10:30	R/AG/MF	X	X		X				3.2	3800	
12S432																	
0033-F8	797073	25/32 Taper	5/16-24	----	2-13/16	10:30	AG	X	X			X	X	X	3.2	3750	11
0035-F8	594993	5/8 in.	Threaded 5/8-18		2-27/64	10:30	R/AG/MF	X	X			X		X	3.2	4000	11
12S437																	
0050-F8	797072	3/4 in.	5/16-24	3/16-Str.	2-7/16	10:30	R/AG/MF	X	X			X			3.2	3600	11,18
12S452																	
0049-F8	795927	3/4 in.	6:1 CCW	3/16-Str.	1-13/16	10:30	R/AG/MF	X			X				3.2	3600	
12S492																	
0070-F8	797070	AUX. PTO 3/4 in.	2:1 5/16-24	3/16-Str.	2-7/16	10:30	R/AG/MF	X			X				3.2	3800	

*All power levels are stated gross torque at 2600 RPM per SAE J1940 as rated by Briggs & Stratton.

(11) PTO Ball Bearing

(18) Engine equipped with 12 Volt Gear Drive Starter and 1.5 AMP DC Alternator

Engines in bold type have promotional pricing

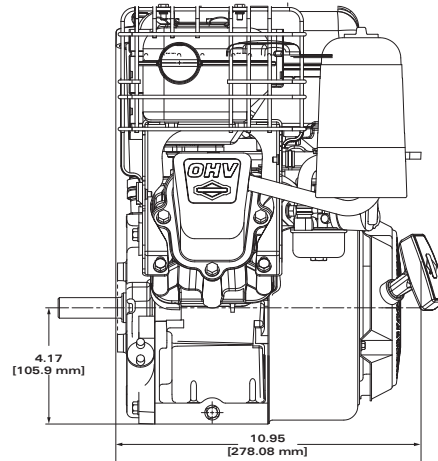
CR 9.50 GROSS TORQUE*

208 CC

Bore 2.68 in. (68.07 mm)

Stroke 2.20 in. (55.88 mm)

Oil Capacity 18-20 fl. oz. (0.53-0.59 L)



FEATURES:

Dura-Bore™ cast iron cylinder sleeve for extended life

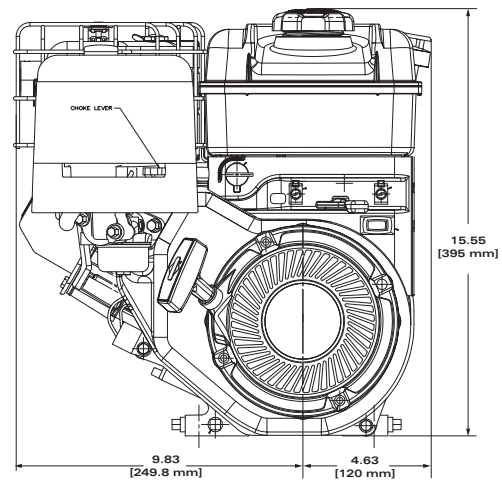
Dual Ball Bearing

Dual-Clean™ air cleaner pleated paper filter with a foam pre-cleaner ensures maximum protection for extended engine life

Overhead valve design (OHV) for cooler operation and longer valve life

Mechanical Governor

Buyer protection package provides two-year limited consumer engine warranty**



MTT	Crankshaft #	P.T.O. Diameter	Drilled & Tapped	Keyway	Length	Starter Position	Controls	Manual Choke	Flange Mtg.	Accessory Mtg. Boss	Ground Wire Terminal	Rocker Stop Switch	Key Stop Switch	Oil Guard	Fuel Tank (Quarts)	Top Governor Speed	Notes
13R232																	
0001-F1	594936	3/4 in.	5/16-24		2-7/16	10:00	MF/R	X	X	X				X	3.2	3300	11

*All power levels are stated gross torque at 2600 RPM per SAE J1940 as rated by Briggs & Stratton.

(11) PTO Ball Bearing

Engines in bold type have promotional pricing

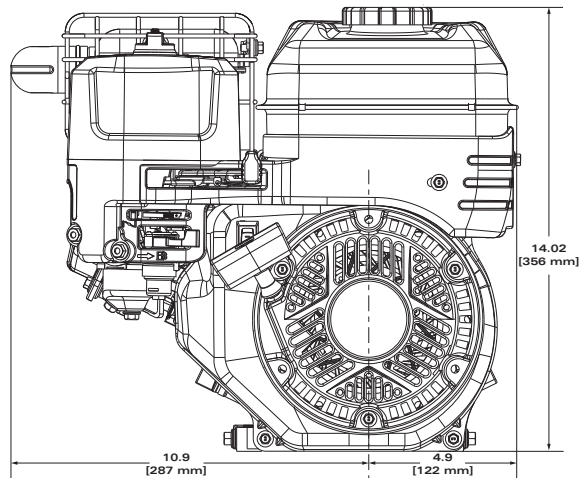
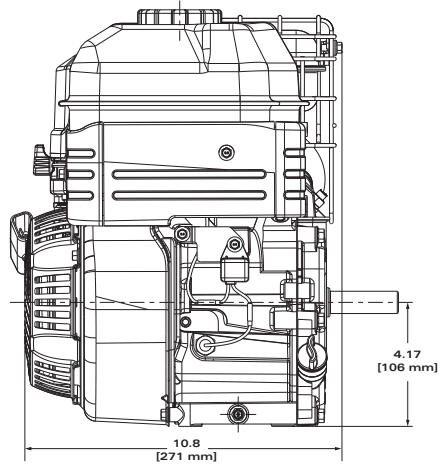
XR PROFESSIONAL 9.50 GROSS TORQUE*

208 CC

Bore 2.68 in. (68.07 mm)

Stroke 2.20 in. (55.88 mm)

Oil Capacity 18-20 fl. oz. (0.53-0.59 L)



FEATURES:

Dura-Bore™ cast iron cylinder sleeve for extended life

Float carburetor for consistent easy starting

Dual-Clean™ air cleaner pleated paper filter with a foam pre-cleaner ensures maximum protection for extended engine life

Overhead valve design (OHV) for cooler operation and longer valve life

Mechanical Governor

Buyer protection package provides two-year limited consumer engine warranty**

MTT	Crankshaft #	P.T.O. Diameter	Drilled & Tapped	Keyway	Length	Starter Position	Controls	Manual Choke	Flange Mtg.	Accessory Mtg. Boss	Ground Wire Terminal	Rocker Stop Switch	Key Stop Switch	Oil Guard	Fuel Tank (Quarts)	Top Governor Speed	Notes
130G32																	
0022-F1	591520	3/4 in.	5/16-24	3/16-Str.	2-27/64	10:00	MF/R	X	X		X	X		X	3.2	3300	11
0056-F1	591520	3/4 in.	5/16-24	3/16-Str.	2-27/64	10:00	MF/R	X	X		X	X			3.2	3200	11

*All power levels are stated gross torque at 2600 RPM per SAE J1940 as rated by Briggs & Stratton.

(11) PTO Ball Bearing

Engines in bold type have promotional pricing

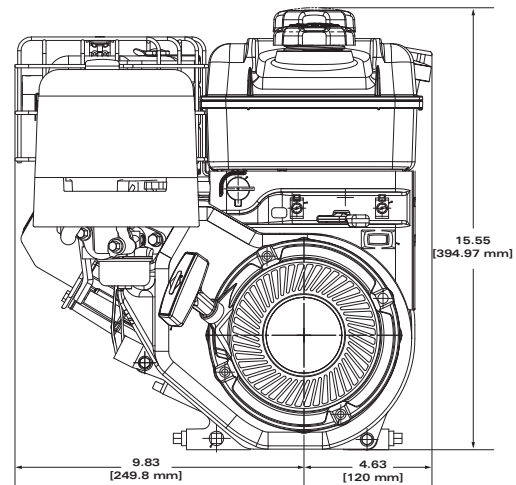
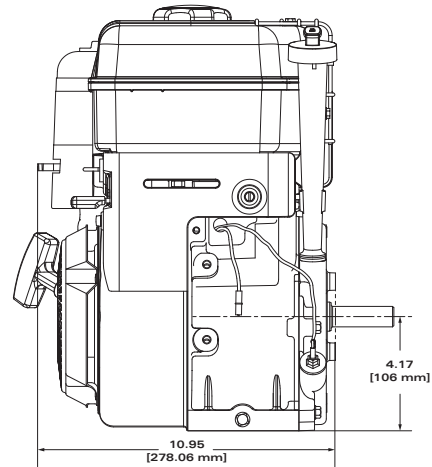
XR PROFESSIONAL 11.50 GROSS TORQUE*

250 CC

Bore 2.97 in. (75.40 mm)

Stroke 2.20 in. (55.90 mm)

Oil Capacity 26-28 fl. oz. (0.77-0.83 L)



FEATURES:

Kool Bore™ aluminum alloy bore for cooler operation

Float carburetor for consistent easy starting

Dual-Clean™ air cleaner pleated paper filter with a foam pre-cleaner ensures maximum protection for extended engine life

Overhead valve design (OHV) for cooler operation and longer valve life

Mechanical Governor

Buyer protection package provides two-year limited consumer engine warranty**

MTT	Crankshaft #	P.T.O. Diameter	Drilled & Tapped	Keyway	Length	Starter Position	Controls	Manual Choke	Flange Mtg.	Accessory Mtg. Boss	Ground Wire Terminal	Rocker Stop Switch	Key Stop Switch	Oil Guard	Fuel Tank (Quarts)	Top Governor Speed	Notes
15T212																	
0008-F8	797076	7/8 Taper	3/8-24	----	2-23/32	10:30	MF	X	X	X					3.2	3600	
0026-F8	797071	25/32 Taper	5/16-24	----	2-13/16	1:30	FC	X	X			X			3.2	3750	
0160-F8	797075	1 in.	3/8-24	1/4-Str.	2-57/64	10:30	R/AG/MF	X	X	X					3.2	3800	
0223-F8	797070	3/4 in.	5/16-24	3/16-Str.	2-7/16	10:30	R/AG/MF	X	X	X					3.2	3800	
15T232																	
0036-F8	797072	3/4 in.	5/16-24	3/16-Str.	2-7/16	10:30	R/AG/MF	X	X			X			3.2	3600	11
15T237																	
0050-F8	797072	3/4 in.	5/16-24	3/16-Str.	2-7/16	10:30	R/AG/MF	X	X			X			3.2	3600	11,18
15T292																	
0071-F8	797075	AUX. PTO 1 in.	2:1 3/8-24	1/4-Str.	2-57/64	10:30	R/AG/MF	X			X				3.2	3800	

*All power levels are stated gross torque at 2600 RPM per SAE J1940 as rated by Briggs & Stratton.

(11) PTO Ball Bearing

(18) Engine equipped with 12 Volt Gear Drive Starter and 1.5 AMP DC Alternator

Engines in bold type have promotional pricing

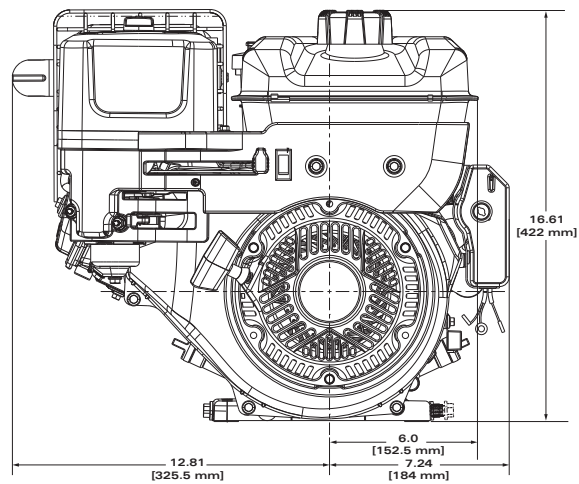
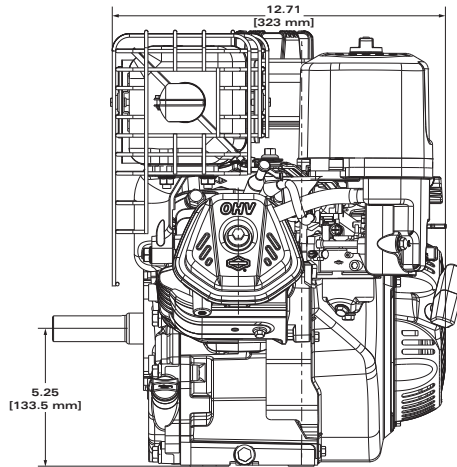
XR PROFESSIONAL 14.50 GROSS TORQUE*

306 CC

Bore 3.22 in. (81.80 mm)

Stroke 2.28 in. (57.90 mm)

Oil Capacity 37 fl. oz. (1.09 L)



FEATURES:

Dura-Bore™ cast iron cylinder sleeve for extended life

Dual-Clean™ air cleaner pleated paper filter with a foam pre-cleaner ensures maximum protection for extended engine life

Overhead valve design (OHV) for cooler operation and longer valve life

Dual Ball Bearing

Mechanical Governor

Buyer protection package provides two-year limited consumer engine warranty**

MTT	Crankshaft #	P.T.O. Diameter	Drilled & Tapped	Keyway	Length	Starter Position	Controls	Manual Choke	Flange Mtg.	Accessory Mtg. Boss	Ground Wire Terminal	Rocker Stop Switch	Key Stop Switch	Oil Guard	Fuel Tank (Quarts)	Top Governor Speed	Notes
19N132																	
0035-F1	593084	1 in.	7/16-20	1/4-Str.	3-31/64	10:00	MF/R	X			X	X		X	3.2	3750	11
0051-F1	593662	3/4 in.	3/8-24	3/16-Str.	2-1/2	10:00	MF/R	X			X	X			3.2	3750	11
0055-F1	593691	1 in.	3/8-24	1/4-Str.	2-49/64	10:00	MF/R	X			X	X		X	3.2	3750	11
19N137																	
0052-F1	593084	1 in.	7/16-20	1/4-Str.	3-31/64	10:00	MF/R	X			X		X	X	3.2	3600	5,11
0053-F1	593662	3/4 in.	3/8-24	3/16-Str.	2-1/2	10:00	MF/R	X			X		X		3.2	3600	5,11

*All power levels are stated gross torque at 2600 RPM per SAE J1940 as rated by Briggs & Stratton.

(5) Engine equipped with 12 Volt Gear Drive Starter and 9 Amp DC Alternator

(11) PTO Ball Bearing

Engines in bold type have promotional pricing

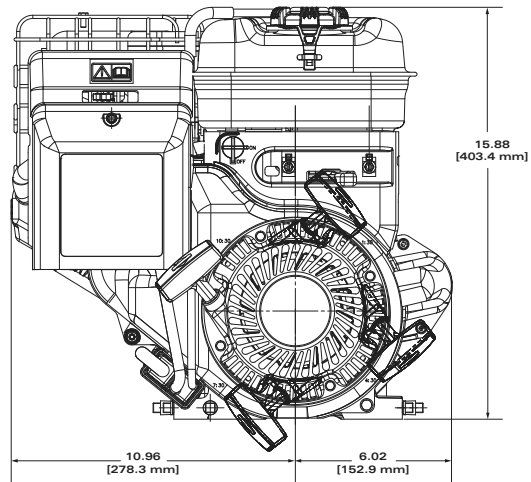
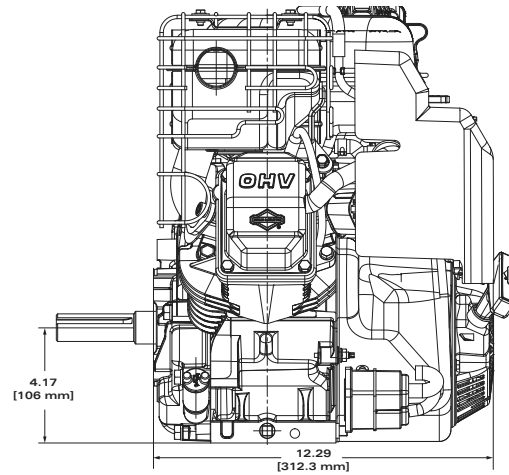
14.50 GROSS TORQUE*

305 CC

Bore 3.12 in. (79.20 mm)

Stroke 2.44 in. (61.90 mm)

Oil Capacity 26-28 fl. oz. (0.77-0.83 L)



FEATURES:

Dura-Bore™ cast iron cylinder sleeve for extended life

Dual-Clean™ air cleaner pleated paper filter with a foam pre-cleaner ensures maximum protection for extended engine life

Overhead valve design (OHV) for cooler operation and longer valve life

Mechanical Governor

Buyer protection package provides two-year limited consumer engine warranty**

MTT	Crankshaft #	P.T.O. Diameter	Drilled & Tapped	Keyway	Length	Starter Position	Controls	Manual Choke	Flange Mtg.	Accessory Mtg. Boss	Ground Wire Terminal	Rocker Stop Switch	Key Stop Switch	Oil Guard	Fuel Tank (Quarts)	Top Governor Speed	Notes
20S232																	
0035-F1	794719	1 in.	Threaded 1-14			10:30	MF/R	X	X	X					3.2	3600	11
0036-F1	794716	1 in.	3/8-24	1/4-Str.	2-49/64	10:30	MF/R	X	X	X					3.2	3600	11
0038-F1	794718	7/8 Taper	5/16-24	----	4-11/32	10:30	FC	X	X			X			3.2	3750	11
20S237																	
0042-F1	794717	1 in.	7/16-20	1/4-Str.	3-21/32	10:30	MF/R	X	X			X	X	X	3.2	3600	5,11
20S252																	
0049-F1	794721	1 in.	6:1 CCW	1/4-Str.	3-1/8	10:30	MF/R	X							3.2	3600	

*All power levels are stated gross torque at 2600 RPM per SAE J1940 as rated by Briggs & Stratton.

(5) Engine equipped with 12 Volt Gear Drive Starter and 9 Amp DC Alternator

(11) PTO Ball Bearing

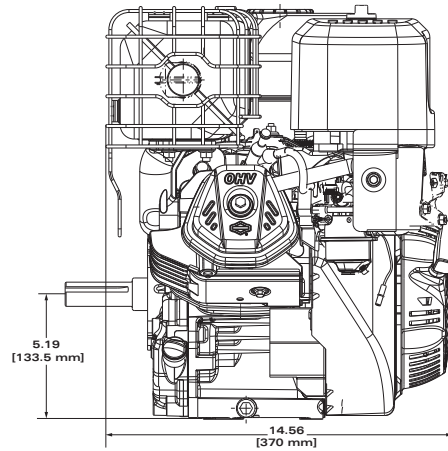
XR PROFESSIONAL 21.00 GROSS TORQUE*

420 CC

Bore 3.54 in. (66.00 mm)

Stroke 2.60 in. (61.90 mm)

Oil Capacity 37 fl. oz. (1.10 L)



FEATURES:

Dura-Bore™ cast iron cylinder sleeve for extended life

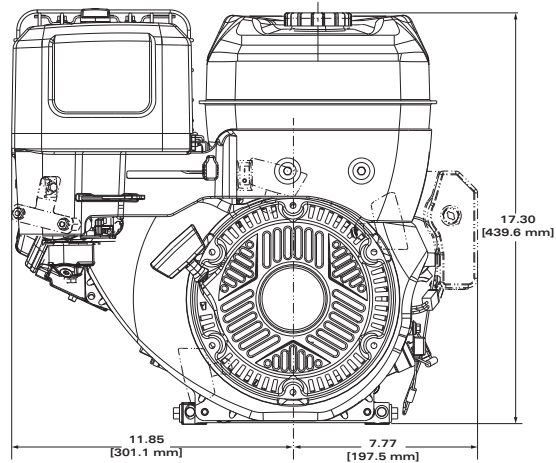
Dual ball bearing

Dual-Clean™ air cleaner pleated paper filter with a foam pre-cleaner ensures maximum protection for extended engine life

Overhead valve design (OHV) for cooler operation and longer valve life

Mechanical Governor

Buyer protection package provides two-year limited consumer engine warranty**



MTT	Crankshaft #	P.T.O. Diameter	Drilled & Tapped	Keyway	Length	Starter Position	Controls	Manual Choke	Flange Mtg.	Accessory Mtg. Boss	Ground Wire Terminal	Rocker Stop Switch	Key Stop Switch	Oil Guard	Fuel Tank (Quarts)	Top Governor Speed	Notes
25T232																	
0037-F1	590961	1 in.	7/16-24	1/4-Str.	3-31/64	10:00	MF/R	X			X			X	6.9	3600	11
25T235																	
0111-G2	797844	JIS Taper	M10X25	---	---	2:00	FC	X	X		X			X	--	3750	2,11,14
25T237																	
0045-F1	590961	1 in.	7/16-24	1/4-Str.	3-31/64	10:00	MF/R	X			X			X	6.9	3600	5,11

*All power levels are stated gross torque at 2600 RPM per SAE J1940 as rated by Briggs & Stratton.

(2) Engine equipped with 12 Volt Gear Drive Starter

(5) Engine equipped with 12 Volt Gear Drive Starter and 9 Amp DC Alternator

(11) PTO Ball Bearing

(14) Suppress Afterfire Solenoid

Engines in bold type have promotional pricing

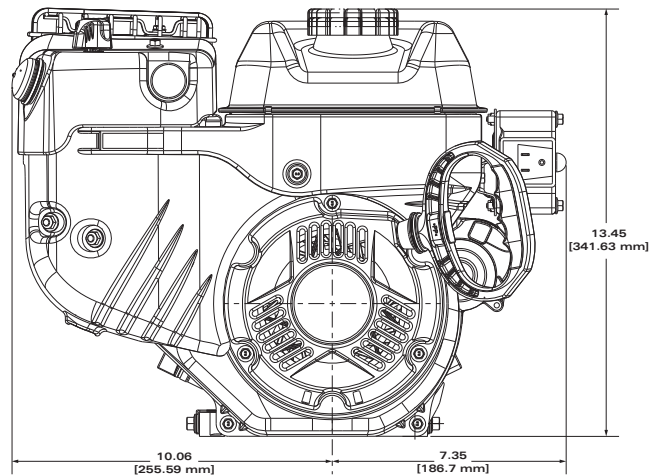
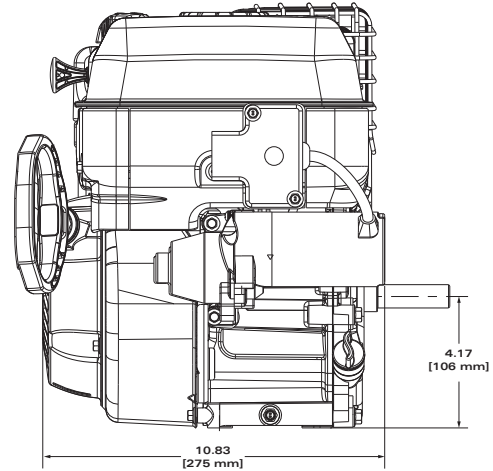
SNOW SERIES 7.50 GROSS TORQUE*

163 CC

Bore 2.68 in. (68.00 mm)

Stroke 1.77 in. (45.00 mm)

Oil Capacity 18-20 fl. oz. (0.54 - 0.59 L)



FEATURES:

Qualified to start down to -20° F

Specially-designed covers and recoil for protection in cold weather operations

Super Lo-Tone™ muffler option provides quieter operation

Oversized controls for easy starting and operation with gloves or mittens

Aluminized or coated mufflers resist corrosion for longer life and provide quiet operations

Electric starter option eliminates the need to pull a rope

Buyer protection package provides two-year limited consumer engine warranty**

MTT	Crankshaft #	P.T.O. Diameter	Drilled & Tapped	Keyway	Length	Starter Position	Controls	Flange Mtg.	Manual Choke	Remote Choke	Remote Stop Switch	Oil Sensor	Fuel Tank (Quarts)	Top Governor Speed	Notes
10D132															
0002-F8	591291	3/4 in.	3/8-24	3/16-Str.	2-23/32	2:00	FC	X	X				3.1	3600	11
10D135															
0003-F8	591290	7/8 in.	5/16-24	3/16-Str.	3-11/64	10:00	FC	X	X				3.1	3400	11,21

*All power levels are stated gross torque at 2600 RPM per SAE J1940 as rated by Briggs & Stratton.

(11) PTO Ball Bearing

(21) Engine equipped with 110 Volt Gear Drive Starter

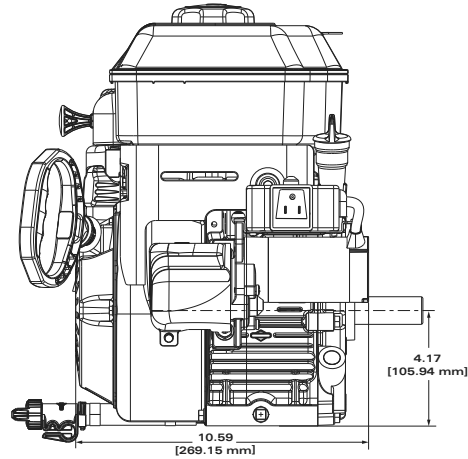
SNOW SERIES 9.00 GROSS TORQUE*

205 CC

Bore 2.69 in. (68.30 mm)

Stroke 2.20 in. (55.90 mm)

Oil Capacity 18-20 fl. oz. (0.54-0.59 L)



FEATURES:

Qualified to start down to -20° F

Specially-designed covers and recoil for protection in cold weather operations

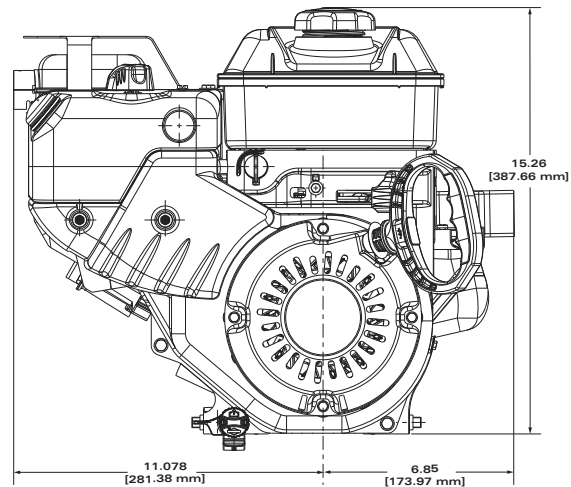
Super Lo-Tone™ muffler option provides quieter operation

Oversized controls for easy starting and operation with gloves or mittens

Aluminized or coated mufflers resist corrosion for longer life and provide quiet operations

Electric starter option eliminates the need to pull a rope

Buyer protection package provides two-year limited consumer engine warranty**



MTT	Crankshaft #	P.T.O. Diameter	Drilled & Tapped	Keyway	Length	Starter Position	Controls	Flange Mtg.	Manual Choke	Remote Choke	Remote Stop Switch	Oil Sensor	Fuel Tank (Quarts)	Top Governor Speed	Notes
12D105															
0001-F8	593495	3/4 in.	5/16-24	3/16-Str.	2-7/16	3:00	MF	X	X				3.2	3600	21
12D112															
0007-E8	797070	3/4 in.	5/16-24	3/16-Str.	2-7/16	3:00	MF	X	X				3.2	3600	
0008-E8	797077	3/4 in.	3/8-24	3/16-Str.	2-9/16	3:00	MF	X	X				3.2	3600	
0009-E8	699451	1 in.	3/8-24	1/4-Str.	2-57/64	3:00	MF	X	X				3.2	3600	
12D132															
0036-E8	816538	3/4 in.	5/16-24	3/16-Str.	2-7/16	3:00	MF	X	X				3.2	3600	11

*All power levels are stated gross torque at 2600 RPM per SAE J1940 as rated by Briggs & Stratton.

(11) PTO Ball Bearing

(21) Engine equipped with 110 Volt Gear Drive Starter

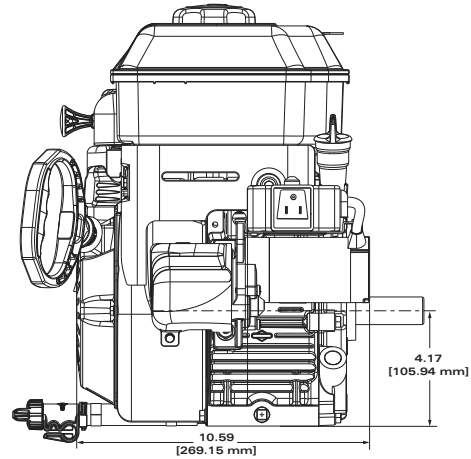
SNOW SERIES 9.50 GROSS TORQUE*

208 CC

Bore 2.68 in. (62.00 mm)

Stroke 2.20 in. (55.88 mm)

Oil Capacity 20-22 fl. oz. (0.59-0.65 L)



FEATURES:

Qualified to start down to -20° F

Specially-designed covers and recoil for protection in cold weather operations

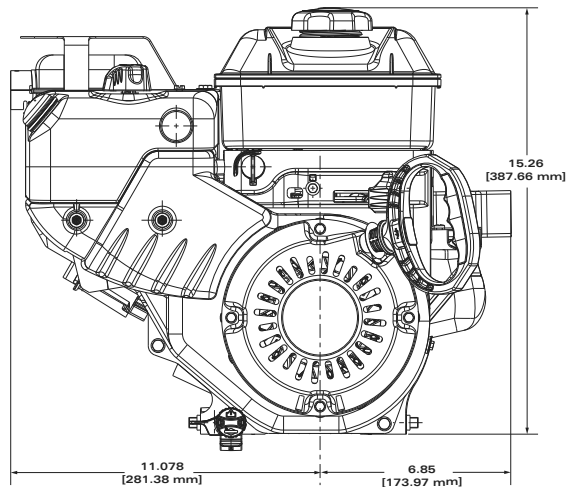
Super Lo-Tone™ muffler option provides quieter operation

Oversized controls for easy starting and operation with gloves or mittens

Aluminized or coated mufflers resist corrosion for longer life and provide quiet operations

Electric starter option eliminates the need to pull a rope

Buyer protection package provides two-year limited consumer engine warranty**



MTT	Crankshaft #	P.T.O. Diameter	Drilled & Tapped	Keyway	Length	Starter Position	Controls	Flange Mtg.	Manual Choke	Remote Choke	Remote Stop Switch	Oil Sensor	Fuel Tank (Quarts)	Top Governor Speed	Notes
13D137															
0006-F1	591520	3/4 in.	5/16-24	3/16-Str.	2-27/64	2:00	MF	X	X				3.2	3600	11,22

*All power levels are stated gross torque at 2600 RPM per SAE J1940 as rated by Briggs & Stratton.

(11) PTO Ball Bearing

(22) Engine equipped with 110 Volt Gear Drive Starter and 60W AC Only Alternator

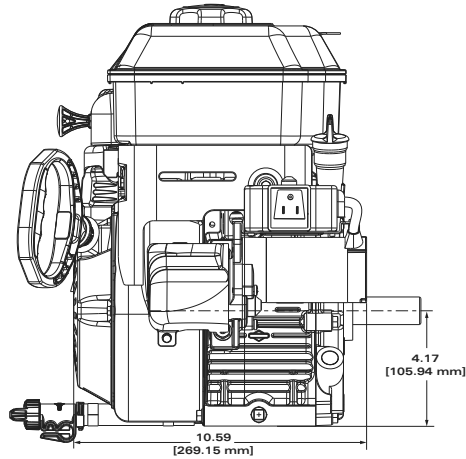
PROFESSIONAL SERIES™ SNOW 11.50 GROSS TORQUE*

250 CC

Bore 2.97 in. (75.45 mm)

Stroke 2.20 in. (55.90 mm)

Oil Capacity 18-20 fl. oz. (0.54-0.59 L)



FEATURES:

Qualified to start down to -20° F

Specially-designed covers and recoil for protection in cold weather operations

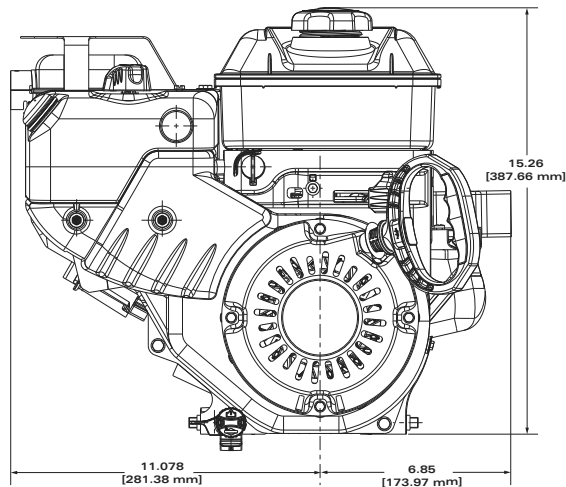
Super Lo-Tone™ muffler option provides quieter operation

Oversized controls for easy starting and operation with gloves or mittens

Aluminized or coated mufflers resist corrosion for longer life and provide quiet operations

Electric starter option eliminates the need to pull a rope

Buyer protection package provides two-year limited consumer engine warranty**



MTT	Crankshaft #	P.T.O. Diameter	Drilled & Tapped	Keyway	Length	Starter Position	Controls	Flange Mtg.	Manual Choke	Remote Choke	Remote Stop Switch	Oil Sensor	Fuel Tank (Quarts)	Top Governor Speed	Notes
15C104															
3022-F8	797079	7/8 in.	3/8-24	Double Step	2-9/32	3:00	MF		X				3.2	3600	24
15C107															
0019-F8	797070	3/4 in.	5/16-24	3/16-Str.	2-7/16	3:00	MF	X	X				3.2	3600	23
15C112															
3006-F8	797070	3/4 in.	5/16-24	3/16-Str.	2-7/16	3:00	MF	X	X				3.2	3600	
3007-F8	797077	3/4 in.	3/8-24	3/16-Str.	2-9/16	3:00	MF	X	X				3.2	3600	
15C114															
3020-F8	791721	3/4 in.	3/8-24	3/16-Str.	2-9/16	3:00	MF	X	X				3.2	3600	23
15C134															
3023-F8	797253	1 in.	3/8-24	1/4-Str.	2-49/64	3:00	MF	X	X				3.2	3600	11,22
15C194															
3018-F8	792208	AUX PTO 3/4 in.	2:1 5/16-24	3/16-Str.	2-7/16	3:00	MF		X				3.2	3600	25

*All power levels are stated gross torque at 2600 RPM per SAE J1940 as rated by Briggs & Stratton.

(11) PTO Ball Bearing

(22) Engine equipped with 110 Volt Gear Drive Starter and 60W AC Only Alternator

(23) Engine equipped with 110 Volt Gear Drive Starter and 1.5 AMP DC Alternator

(24) Engine equipped with 110 Volt Gear Drive Starter and Dual Circuit Alternator (3 AMP DC - 60W AC)

(25) Engine equipped with 110 Volt Gear Drive Starter and 9 AMP DC Battery-less Alternator

Engines in bold type have promotional pricing

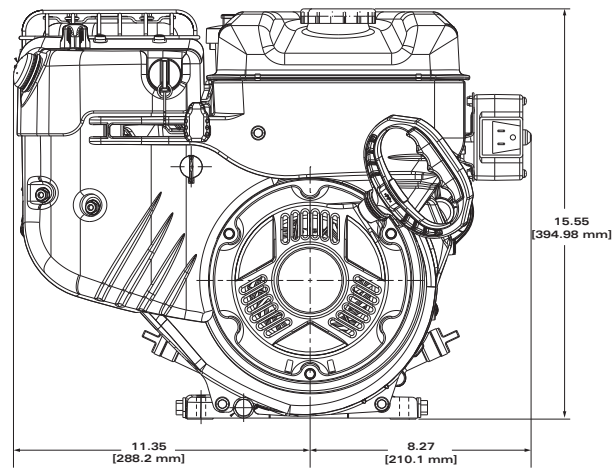
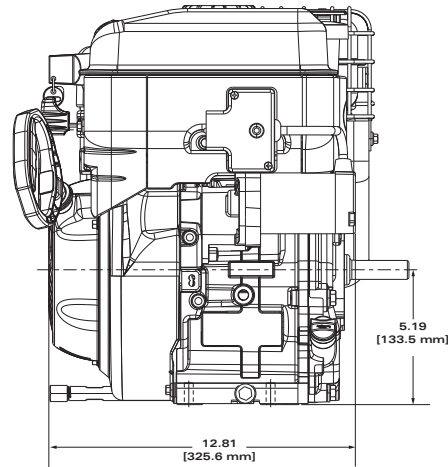
PROFESSIONAL SERIES™ SNOW 14.50 GROSS TORQUE*

308 CC

Bore 3.12 in. (79.00 mm)

Stroke 2.43 in. (61.00 mm)

Oil Capacity 26-28 fl. oz. (0.77-0.83 L)



FEATURES:

Qualified to start down to -20° F

Specially-designed covers and recoil for protection in cold weather operations

Super Lo-Tone™ muffler option provides quieter operation

Oversized controls for easy starting and operation with gloves or mittens

Aluminized or coated mufflers resist corrosion for longer life and provide quiet operations

Electric starter option eliminates the need to pull a rope

Buyer protection package provides two-year limited consumer engine warranty**

MTT	Crankshaft #	P.T.O. Diameter	Drilled & Tapped	Keyway	Length	Starter Position	Controls	Flange Mtg.	Manual Choke	Remote Choke	Remote Stop Switch	Oil Sensor	Fuel Tank (Quarts)	Top Governor Speed	Notes
19J137															
0007-F1	593662	3/4 in.	3/8-24	3/16-Str.	2-1/2	2:00	MF	X	X				3.2	3600	11,25
0008-F1	593691	1 in.	3/8-24	1/4-Str.	2-49/64	2:00	MF	X	X				3.2	3600	11,25

*All power levels are stated gross torque at 2600 RPM per SAE J1940 as rated by Briggs & Stratton.

(11) PTO Ball Bearing

(25) Engine equipped with 110 Volt Gear Drive Starter and 9 AMP DC Battery-less Alternator

Engines in bold type have promotional pricing

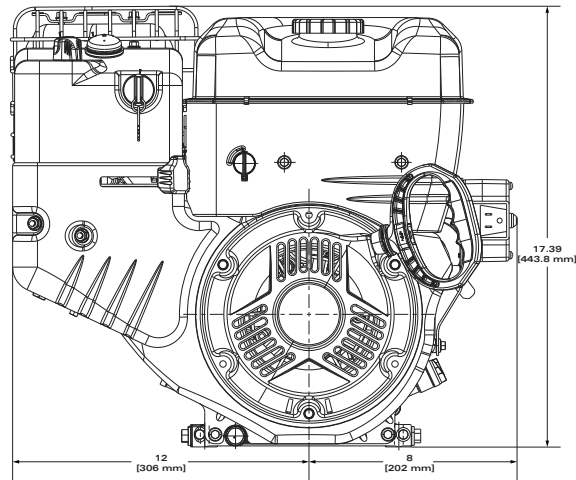
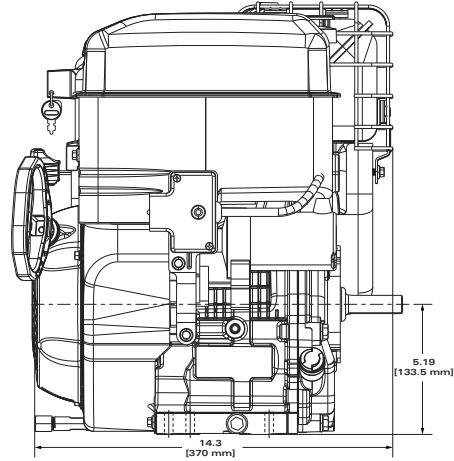
PROFESSIONAL SERIES™ SNOW 21.00 GROSS TORQUE*

420 CC

Bore 3.54 in. (90.00 mm)

Stroke 2.60 in. (66.00 mm)

Oil Capacity 37 fl. oz. (1.09 L)



FEATURES:

Qualified to start down to -20° F

Specially-designed covers and recoil for protection in cold weather operations

Super Lo-Tone™ muffler option provides quieter operation

Oversized controls for easy starting and operation with gloves or mittens

Aluminized or coated mufflers resist corrosion for longer life and provide quiet operations

Electric starter option eliminates the need to pull a rope

Buyer protection package provides two-year limited consumer engine warranty**

MTT	Crankshaft #	P.T.O. Diameter	Drilled & Tapped	Keyway	Length	Starter Position	Controls	Flange Mtg.	Manual Choke	Remote Choke	Remote Stop Switch	Oil Sensor	Fuel Tank (Quarts)	Top Governor Speed	Notes
25M137															
0019-F1	799842	1 in.	7/16-20	1/4-Str.	2-49/64	2:00	MF	X	X				5.9	3600	11,22
0007-F1	591097	3/4 in.	3/8-24	3/16-Str.	2-19/64	2:00	MF	X	X				5.9	3600	11,25

*All power levels are stated gross torque at 2600 RPM per SAE J1940 as rated by Briggs & Stratton.

(11) PTO Ball Bearing

(22) Engine equipped with 110 Volt Gear Drive Starter and 60W AC Only Alternator

(25) Engine equipped with 110 Volt Gear Drive Starter and 9 AMP DC Battery-less Alternator

VANGUARD™ 6.5 GROSS HP†

205 CC

Bore 2.68 in. (62.00 mm)

Stroke 2.20 in. (55.88 mm)

Oil Capacity 20-22 fl. oz. (0.59-0.65 L)



FEATURES:

High-mounted canister-style air cleaner has 22% more filter area than the competition

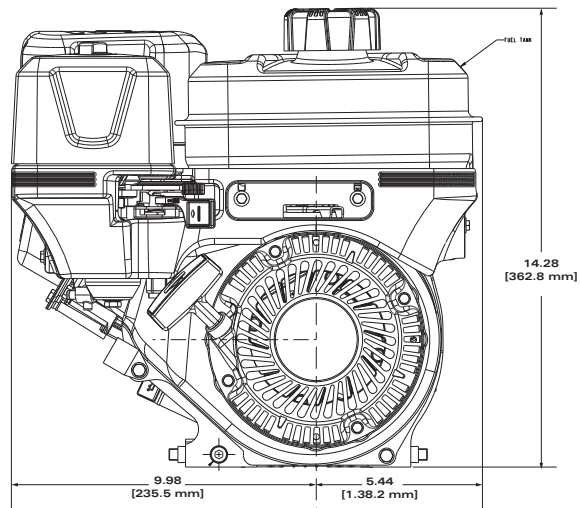
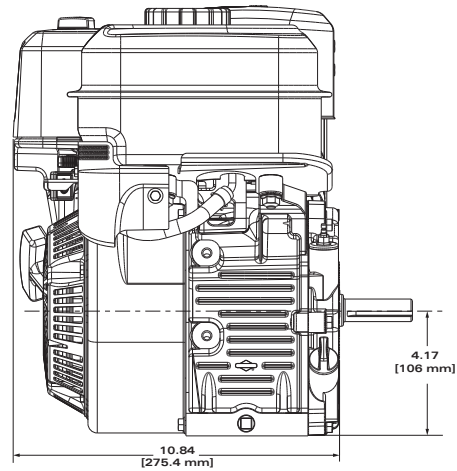
TransportGuard® fuel/ignition shut off system protects the engine from oil/fuel dilution during transport (205cc and 305cc models only)

Commercial-style carburetor includes additional fuel passages for reliable starting and smooth running operation at a wide range of loads

Metal fuel tank reduces emissions and is mounted directly to the engine block to enhance durability

Mechanical Governor

Buyer protection package provides three-year commercial limited warranty**



MTT	Crankshaft #	P.T.O. Diameter	Drilled & Tapped	Keyway	Length	Starter Position	Controls	Manual Choke	Remote Choke	Flange Mtg.	Oil Sensor	Fuel Tank (Quarts)	Key Control Panel	Top Governor Speed	Notes
13L332															
0008-F8	798547	1 in.	3/8-24	1/4-Str.	2-7/8	10:30	MF/R	X		X	X	3.4		3600	11
0036-F8	798532	3/4 in.	5/16-24	3/16-Str.	2-7/16	10:30	MF/R	X		X	X	3.4		3600	11
13L337															
0113-F8	798532	3/4 in.	5/16-24	3/16-Str.	2-7/16	10:30	FC	X		X	X	3.4	X	3600	11,20
13L352															
0049-F8	798549	3/4 in.	6:1 CCW	3/16-Str.	1-13/16	10:30	MF/R	X			X	3.4		3600	

†All power levels are stated gross horsepower at 3600 RPM per SAE J1940 as rated by Briggs & Stratton.

(11) PTO Ball Bearing

(20) Engine equipped with 12 Volt Gear Drive Starter and 20 AMP DC Alternator

Engines in bold type have promotional pricing

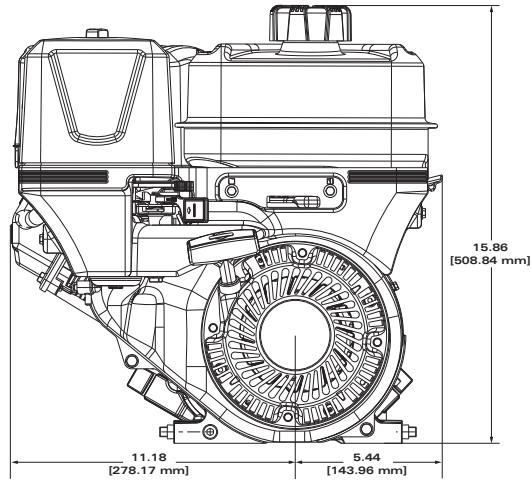
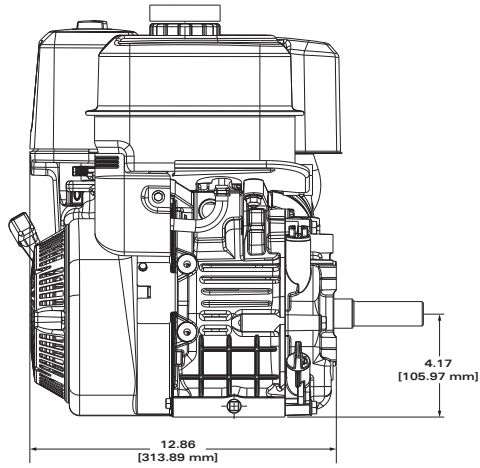
VANGUARD™ 10.0 GROSS HP†

305 CC

Bore 3.12 in. (79.25 mm)

Stroke 2.44 in. (61.98 mm)

Oil Capacity 28 fl. oz. (0.83 L)



FEATURES:

High-mounted canister-style air cleaner has 22% more filter area than the competition

TransportGuard® fuel/ignition shut off system protects the engine from oil/fuel dilution during transport (205cc and 305cc models only)

Commercial-style carburetor includes additional fuel passages for reliable starting and smooth running operation at a wide range of loads

Metal fuel tank reduces emissions and is mounted directly to the engine block to enhance durability

Mechanical Governor

Buyer protection package provides three-year commercial limited warranty**

MTT	Crankshaft #	P.T.O. Diameter	Drilled & Tapped	Keyway	Length	Starter Position	Controls	Manual Choke	Remote Choke	Flange Mtg.	Oil Sensor	Fuel Tank (Quarts)	Key Control Panel	Top Governor Speed	Notes
19L232															
0036-F1	590368	1 in.	3/8-24	1/4-Str.	2-49/64	10:30	MF/R	X		X	X	3.8		3600	11
0037-F1	796957	1 in.	7/16-20	1/4-Str.	3-21/32	10:30	MF/R	X		X	X	3.8		3600	11
19L237															
0042-F1	796957	1 in.	7/16-20	1/4-Str.	3-21/32	10:30	MF/R	X		X	X	3.8	X	3600	5,11
19L252															
0049-F1	794721	1 in.	6:1 CCW	1/4-Str.	3-1/8	10:30	MF/R	X			X	3.6		3600	

†All power levels are stated gross horsepower at 3600 RPM per SAE J1940 as rated by Briggs & Stratton.

(5) Engine equipped with 12 Volt Gear Drive Starter and 9 Amp DC Alternator

(11) PTO Ball Bearing

Engines in bold type have promotional pricing

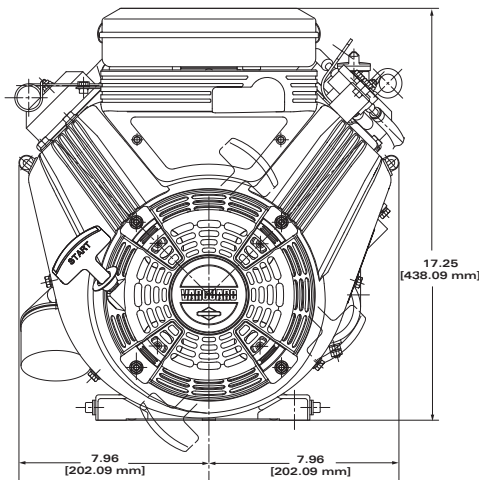
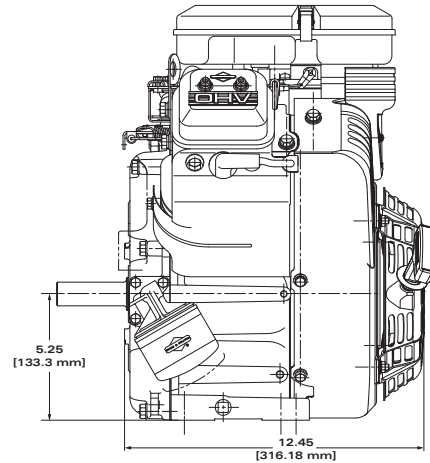
VANGUARD™ 16.0 GROSS HP†

479 CC

Bore 2.68 in. (68.00 mm)

Stroke 2.60 in. (66.00 mm)

Oil Capacity 48 fl. oz. (1.42 L)



FEATURES:

Float carburetor for consistent easy starting

Dual-Clean™ air cleaner pleated paper filter with a foam pre-cleaner ensures maximum protection for extended engine life

Full pressure lubrication with spin-on oil filter assures controlled lubrication for extended component life

Overhead valve design (OHV) for cooler operation and longer valve life

Buyer protection package provides three-year commercial limited warranty**

MTT	Crankshaft #	P.T.O. Diameter	Drilled & Tapped	Keyway	Length	Starter Position	Controls	Remote Choke	Manual Choke	Cyclonic Air Filter	Flange Mtg.	Oil Cooler	Fuel Pump	Oil Pump with Filter	Key Stop Switch	Fuel Tank (Quarts)	Muffler	Top Governor Speed	Notes
305442																			
0527-F1	692161	1 in.	3/8-24	1/4-Str.	3	9:00	AG/R/MF	X	X	X	X	X	X	X		9		3600	11
305447																			
0178-G2	692168	1 in.	3/8-24	1/4-Str.	2		R	X		X	X	X	X	X		--		3450	6,26
0265-G2	692168	1 in.	3/8-24	1/4-Str.	2		R	X		X	X	X	X	X		--		3200	6,26
0285-G2	692168	1 in.	3/8-24	1/4-Str.	2		R	X		X	X	X	X	X		--		3450	6,26
0293-G2	692168	1 in.	3/8-24	1/4-Str.	2		R	X		X	X	X	X	X		--		3200	6,26
0523-F1	692161	1 in.	3/8-24	1/4-Str.	3	9:00	AG/MF/R	X	X	X	X	X	X	X	X	9		3600	6,11
0568-F1	692161	1 in.	3/8-24	1/4-Str.	3	9:00	AG/MF/R	X	X	X	X	X	X	X	X	9	X	3600	6,11
3075-G1	692161	1 in.	3/8-24	1/4-Str.	3	9:00	AG/MF/R	X	X	X	X	X	X	X	X	--		3600	6,11
3077-G1	692162	1 in.	Threaded 1-14		3-21/32	9:00	AG/R		X	X	X	X	X	X	X	--		3600	6,11
3078-G1	692163	Taper	5/16-24	---	3-21/64	9:00	AG		X	X	X	X	X	X	X	--		3750	6,11
3079-G1	692161	1 in.	3/8-24	1/4-Str.	3		MF/R	X	X	X	X	X	X	X	X	--		3600	6,11,14
3087-G1	845027	1-1/8 in.	7/16-20	1/4-Str.	4	9:00	MF/R		X	X	X	X	X	X	X	--		3600	6,11

†All power levels are stated gross horsepower at 3600 RPM per SAE J1940 as rated by Briggs & Stratton.

(6) Engine equipped with 12 Volt Gear Drive Starter and 16 AMP DC Alternator

(11) PTO Ball Bearing

(14) Suppress Afterfire Solenoid

(26) Engine with out air cleaner

**See www.briggsandstratton.com for warranty details.

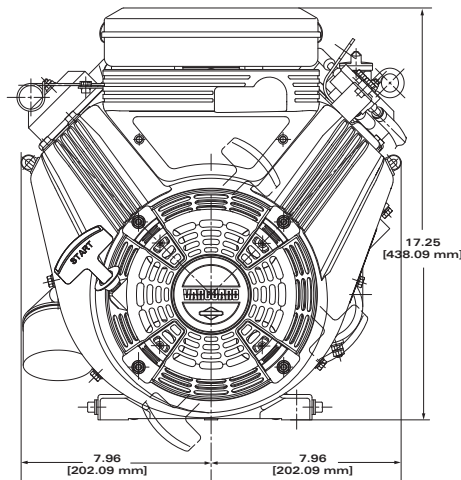
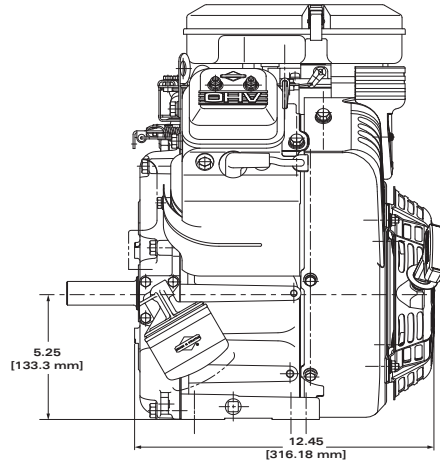
VANGUARD™ 18.0 GROSS HP†

570 CC

Bore 2.83 in. (72.00 mm)

Stroke 2.76 in. (70.00 mm)

Oil Capacity 48 fl. oz. (1.42 L)



FEATURES:

Float carburetor for consistent easy starting

Dual-Clean™ air cleaner pleated paper filter with a foam pre-cleaner ensures maximum protection for extended engine life

Full pressure lubrication with spin-on oil filter assures controlled lubrication for extended component life

Overhead valve design (OHV) for cooler operation and longer valve life

Buyer protection package provides three-year commercial limited warranty**

MTT	Crankshaft #	P.T.O. Diameter	Drilled & Tapped	Keyway	Length	Starter Position	Controls	Remote Choke	Manual Choke	Cyclonic Air Filter	Flange Mtg.	Oil Cooler	Fuel Pump	Oil Pump with Filter	Key Stop Switch	Fuel Tank (Quarts)	Muffler	Top Governor Speed	Notes
356442																			
0565-F1	843794	1 in.	3/8-24	1/4-Str.	3	9:00	R/MF	X	X	X	X	X	X	X		--		3600	11
356447																			
0026-G1	843794	1 in.	3/8-24	1/4-Str.	3		R	X		X	X	X	X	X		--		2850	6,11,14
0304-G2	843803	1 in.	3/8-24	----	2		R	X		X	X	X	X	X		--		3450	6,14
0566-F1	843794	1 in.	3/8-24	1/4-Str.	3	9:00	AG/MF/R	X	X	X	X	X	X	X	X	9	X	3600	6,11
0596-F1	843794	1 in.	3/8-24	1/4-Str.	3	9:00	AG/MF/R	X	X	X	X	X	X	X	X	9		3600	6,11
3038-G1	843794	1 in.	3/8-24	1/4-Str.	3		R	X		X	X	X	X	X				3600	6,14
3075-G1	843794	1 in.	3/8-24	1/4-Str.	3	9:00	AG/MF/R	X	X	X	X	X	X	X	X	--		3600	6,11
3077-G1	843795	1 in.	Threaded 1-14		3-1/4	9:00	AG/MF/R	X	X	X	X	X	X	X	X	--		3600	6,11
3078-G1	843797	2-1/4 Taper	5/16-24	----	3-21/64	9:00	AG		X	X	X	X	X	X	X	--		3750	6,11
3079-G1	843794	1 in.	3/8-24	1/4-Str.	3		AG/MF/R	X	X	X	X	X	X	X	X	--		3600	6,11,14
3087-G1	843802	1-1/8 in.	7/16-20	1/4-Str.	4	9:00	AG/MF/R	X	X	X	X	X	X	X	X	--		3600	6,11
3415-G1	843794	1 in.	3/8-24	1/4-Str.	3	12:00	AG/MF/R	X	X	X	X	X	X	X	X	--	X	4000	11,19

†All power levels are stated gross horsepower at 3600 RPM per SAE J1940 as rated by Briggs & Stratton.

(6) Engine equipped with 12 Volt Gear Drive Starter and 16 AMP DC Alternator

(11) PTO Ball Bearing

(14) Supress Afterfire Solenoid

(19) Engine equipped with 12 Volt Gear Drive Starter and 20/50 AMP DC Alternator

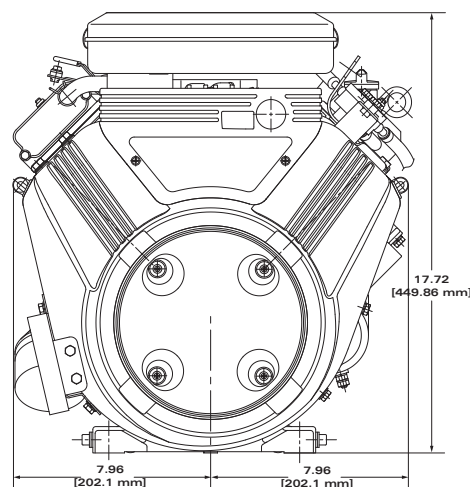
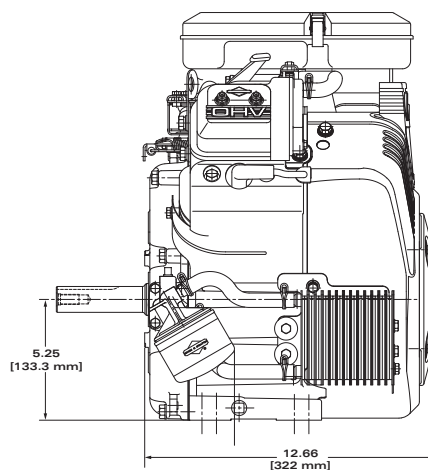
VANGUARD™ 21.0 GROSS HP†

627 CC

Bore 2.97 in. (75.50 mm)

Stroke 2.76 in. (70.00 mm)

Oil Capacity 48 fl. oz. (1.42 L)



FEATURES:

Float carburetor for consistent easy starting

Dual-Clean™ air cleaner pleated paper filter with a foam pre-cleaner ensures maximum protection for extended engine life

Full pressure lubrication with spin-on oil filter assures controlled lubrication for extended component life

Overhead valve design (OHV) for cooler operation and longer valve life

Buyer protection package provides three-year commercial limited warranty**

MTT	Crankshaft #	P.T.O. Diameter	Drilled & Tapped	Keyway	Length	Starter Position	Controls	Remote Choke	Manual Choke	Cyclonic Air Filter	Flange Mtg.	Oil Cooler	Fuel Pump	Oil Pump with Filter	Key Stop Switch	Fuel Tank (Quarts)	Muffler	Top Governor Speed	Notes
385447																			
0208-G2	845091	1 in.	3/8-24	1/4-Str.	2	R	X	X		X	X	X	X		--	2950		11,14,15,19	
3020-G1	843807	1 in.	3/8-24	1/4-Str.	3		MF/R	X	X	X	X	X	X		--	3600		11,14,19	
3075-G1	843807	1 in.	3/8-24	1/4-Str.	3	9:00	MF/R	X	X	X	X	X	X	X	X	--	3600		6,11,14

†All power levels are stated gross horsepower at 3600 RPM per SAE J1940 as rated by Briggs & Stratton.

(6) Engine equipped with 12 Volt Gear Drive Starter and 16 AMP DC Alternator

(11) PTO Ball Bearing

(14) Suppress Afterfire Solenoid

(15) Static Cover Installed

(19) Engine equipped with 12 Volt Gear Drive Starter and 20/50 AMP DC Alternator

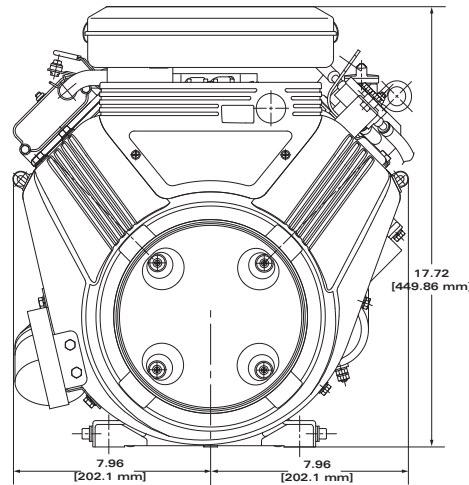
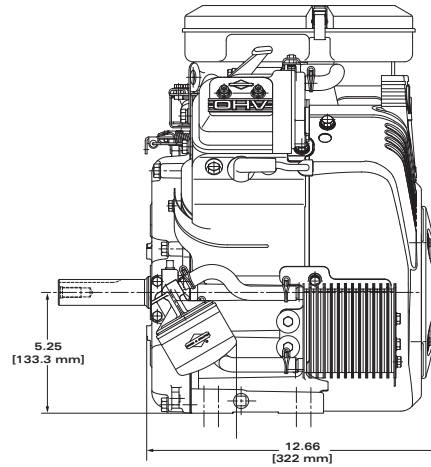
VANGUARD™ 23.0 GROSS HP†

627 CC

Bore 2.97 in. (75.50 mm)

Stroke 2.76 in. (70.00 mm)

Oil Capacity 48 fl. oz. (1.42 L)



FEATURES:

Float carburetor for consistent easy starting

Dual-Clean™ air cleaner pleated paper filter with a foam pre-cleaner ensures maximum protection for extended engine life

Full pressure lubrication with spin-on oil filter assures controlled lubrication for extended component life

Overhead valve design (OHV) for cooler operation and longer valve life

Buyer protection package provides three-year commercial limited warranty**

MTT	Crankshaft #	P.T.O. Diameter	Drilled & Tapped	Keyway	Length	Starter Position	Controls	Remote Choke	Manual Choke	Cyclonic Air Filter	Flange Mtg.	Oil Cooler	Fuel Pump	Oil Pump with Filter	Key Stop Switch	Fuel Tank (Quarts)	Muffler	Top Governor Speed	Notes
386447																			
0050-F1	843807	1 in.	3/8-24	1/4-Str.	3	9:00	MF	X		X	X	X	X	X	X	9		3600	6,11
3020-G1	843807	1 in.	3/8-24	1/4-Str.	3	12:00	MF/R	X	X	X	X	X	X	X		--	X	3600	11,14,19
3021-G1	843812	1-1/8 in.	7/16-20	1/4-Str.	3	9:00	R	X		X	X	X	X	X		--		4000	11,19
3047-G1	843812	1-1/8 in.	7/16-20	1/4-Str.	3		MF/R	X	X	X	X	X	X	X	X			3600	6,11,14
3048-G1	843814	1-1/8 in.	7/16-20	1/4-Str.	4	9:00	MF/R	X	X	X	X	X	X	X	X			3600	6,11,14
3065-G1	843807	1 in.	3/8-24	1/4-Str.	3	9:00	MF/R	X	X	X	X	X	X	X	X			3600	6,11,14
3077-G1	843808	1 in.	Threaded 1-14		3-1/4	9:00	MF/R	X	X	X	X	X	X	X	X			3600	6,11
3078-G1	843810	2-1/4 Taper	5/16-24	----	3-21/64	9:00	AG		X	X	X	X	X	X	X			3750	6,11
3079-G1	843807	1 in.	3/8-24	1/4-Str.	3		MF/R	X	X	X	X	X	X	X	X			3600	6,11,14
3201-G1	843807	1 in.	3/8-24	1/4-Str.	3		R	X		X	X	X	X	X				3600	6,11,14

†All power levels are stated gross horsepower at 3600 RPM per SAE J1940 as rated by Briggs & Stratton.

(6) Engine equipped with 12 Volt Gear Drive Starter and 16 AMP DC Alternator

(11) PTO Ball Bearing

(14) Suppress Afterfire Solenoid

(19) Engine equipped with 12 Volt Gear Drive Starter and 20/50 AMP DC Alternator

Engines in bold type have promotional pricing

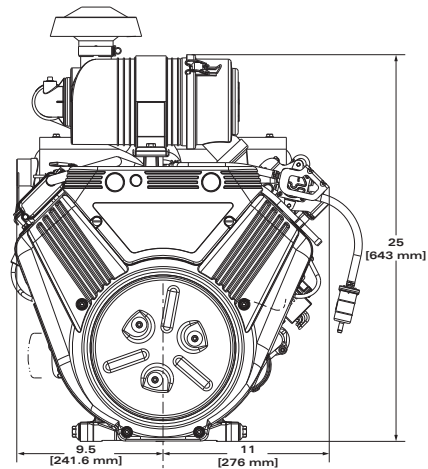
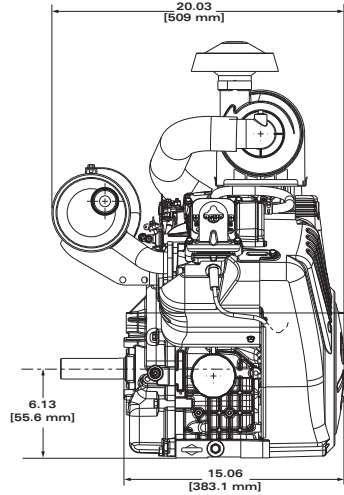
VANGUARD™ 31.0 GROSS HP†

896 CC

Bore 3.37 in. (85.50 mm)

Stroke 3.07 in. (78.00 mm)

Oil Capacity 79 fl. oz. (2.34 L)



FEATURES:

Advanced Debris Management System allows the engine to run cleaner and cooler, which enhances durability and performance

Cyclonic air filter provides ultimate debris protection and lasts 2X longer than panel-style air cleaner systems

Industrial grade solenoid shift starter assures quick, reliable starts

Full-pressure oil lubrication system with spin-on filter works to keep oil cleaner, which reduces maintenance and extends engine life

Buyer protection package provides three-year commercial limited warranty**

MTT	Crankshaft #	P.T.O. Diameter	Drilled & Tapped	Keyway	Length	Controls	Remote Choke	Manual Choke	Cyclonic Air Filter	Flange Mtg.	Oil Cooler	Fuel Pump	Oil Pump with Filter	Key Stop Switch	Fuel Tank (Quarts)	Muffler	Top Governor Speed	Notes
543477																		
3035-G1	843288	21/64 Taper	5/16-24	----	----	AG	X	X	X	X	X	X	X	X	--		3750	8,14,15
3048-J1	843290	1-1/8 in.	7/16-20	1/4-Str.	4	MF		X	X	X		X	X	X	--		3600	8,14,15
3065-J1	843290	1-1/8 in.	7/16-20	1/4-Str.	4	MF		X	X	X		X	X	X	--	X	3600	8,14,15
3076-J1	843292	1-1/8 in.	7/16-20	1/4-Str.	3	R	X		X	X		X	X		--		3600	8,14
3079-J1	843291	1-7/16	5/8-18	3/8-Str.	4.5	MF		X	X	X		X	X	X	--		3600	8,14,15
3110-J1	843290	1-1/8 in.	7/16-20	1/4-Str.	4	R	X		X	X		X	X		--	X	3600	8,14
3111-J1	843290	1-1/8 in.	7/16-20	1/4-Str.	4	R	X		X	X		X	X		--		3600	8,14

†All power levels are stated gross horsepower at 3600 RPM per SAE J1940 as rated by Briggs & Stratton.

(8) Engine equipped with 12 Volt Solenoid Shift Starter and 20 AMP DC Alternator

(14) Suppress Afterfire Solenoid

(15) Static Cover Installed

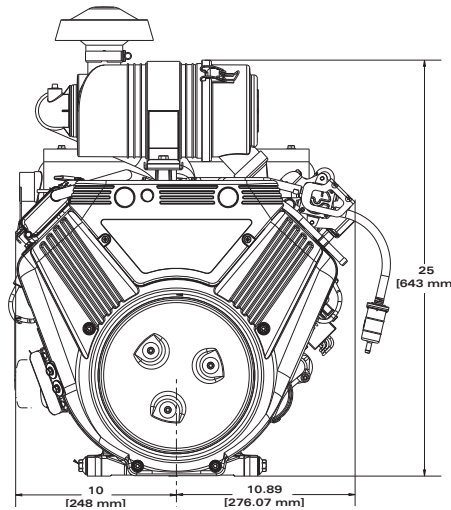
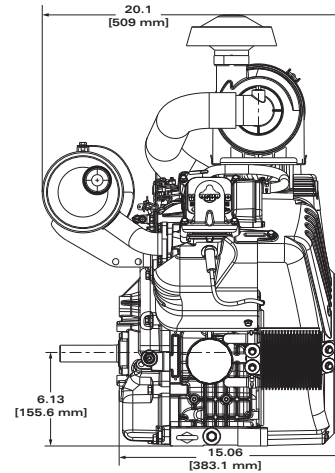
VANGUARD™ 35.0 GROSS HP†

993 CC

Bore 3.37 in. (85.50 mm)

Stroke 3.41 in. (86.50 mm)

Oil Capacity 79 fl. oz. (2.34 L)



FEATURES:

Advanced Debris Management System allows the engine to run cleaner and cooler, which enhances durability and performance

Cyclonic air filter provides ultimate debris protection and lasts 2X longer than panel-style air cleaner systems

Industrial grade solenoid shift starter assures quick, reliable starts

Full-pressure oil lubrication system with spin-on filter works to keep oil cleaner, which reduces maintenance and extends engine life

Buyer protection package provides three-year commercial limited warranty**

MTT	Crankshaft #	P.T.O. Diameter	Drilled & Tapped	Keyway	Length	Controls	Remote Choke	Manual Choke	Cyclonic Air Filter	Flange Mtg.	Oil Cooler	Fuel Pump	Oil Pump with Filter	Key Stop Switch	Fuel Tank (Quarts)	Muffler	Top Governor Speed	Notes
613477																		
0039-J1	814839	1-1/8 in.	7/16-20	1/4-Std.	4	R		X	X	X	X	X	X	X	--	X	4600	15,17
0040-B1	842268	1-1/8 in.	7/16-20	1/4-Std.	3	R		X	X	X	X	X	X	X	--		4600	8,15
0041-J1	841839	1-1/8 in.	7/16-20	1/4-Std.	4	R		X	X	X	X	X	X	X	--	X	4600	8,15
1313-J1	845922	10:1 Taper	7/16-20	----	1.71	R	X		X	X		X			--	X	4000	14,17
2193-J1	841839	1-1/8 in.	7/16-20	1/4-Std.	4	R		X	X	X	X	X	X	X	--	X	4200	8,15
2194-G1	841839	1-1/8 in.	7/16-20	1/4-Std.	4	R		X	X	X	X	X	X	X	--	X	4200	15,17
3035-J1	841839	1-1/8 in.	7/16-20	1/4-Std.	4	R		X	X	X	X	X	X	X	--	X	4000	8,14,15
3048-J1	841839	1-1/8 in.	7/16-20	1/4-Std.	4	MF		X	X	X	X	X	X	X	--		3600	8,14,15
3076-J1	842268	1-1/8 in.	7/16-20	1/4-Std.	3	R	X		X	X	X	X	X		--		3800	8,14
3078-G1	843609	2-1/4 Taper	5/16-24	----	3-13/16	MF		X	X	X	X	X	X	X	--		3750	8,14,15
3079-J1	841844	1-7/16 in.	5/8-18	3/8-Str.	4.5	MF		X	X	X	X	X	X	X	--		3600	8,14,15
3111-J1	841839	1-1/8 in.	7/16-20	1/4-Std.	4	R	X		X	X	X	X	X		--		3600	8,14

†All power levels are stated gross horsepower at 3600 RPM per SAE J1940 as rated by Briggs & Stratton.

(8) Engine equipped with 12 Volt Solenoid Shift Starter and 20 AMP DC Alternator

(14) Suppress Afterfire Solenoid

(15) Static Cover Installed

(17) Engine equipped with 12 Volt Solenoid Shift Starter and 20/50 AMP DC Alternator

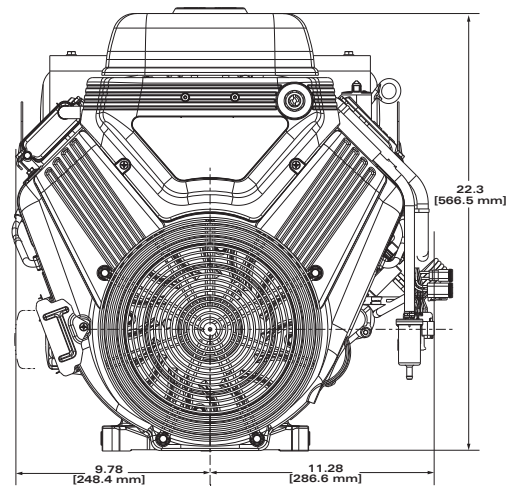
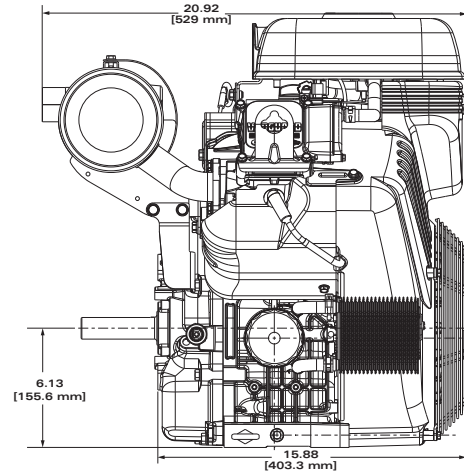
VANGUARD™ EFI 37.0 GROSS HP†

993 CC

Bore 3.42 in. (86.87 mm)

Stroke 3.46 in. (87.88 mm)

Oil Capacity 79 fl. oz. (2.34 L)



FEATURES:

Electronic Fuel Injection

Advanced Debris Management System allows the engine to run cleaner and cooler, which enhances durability and performance

Foam pre-cleaner traps large debris before it can clog the filter element and rob the engine of needed air

Industrial grade solenoid shift starter assures quick, reliable starts

Full-pressure oil lubrication system with spin-on filter works to keep oil cleaner, which reduces maintenance and extends engine life

Buyer protection package provides three-year commercial limited warranty**

MTT	Crankshaft #	P.T.O. Diameter	Drilled & Tapped	Keyway	Length	Controls	Remote Choke	Manual Choke	Cyclonic Air Filter	Flange Mtg.	Oil Cooler	Fuel Pump	Oil Pump with Filter	Key Stop Switch	Fuel Tank (Quarts)	Muffler	Top Governor Speed	Notes	
61E377																			
0009-J1	841839	1-1/8 in.	7/16-20	1/4-Str.	4	R				X	X	X	X	--	--		4000	8,15,16	
0010-J1	841839	1-1/8 in.	7/16-20	1/4-Str.	4	MF			X	X	X	X	X	X	--	--		3600	8,15,16,27

†All power levels are stated gross horsepower at 3600 RPM per SAE J1940 as rated by Briggs & Stratton.

(8) Engine equipped with 12 Volt Solenoid Shift Starter and 20 AMP DC Alternator

(15) Static Cover Installed

(16) EFI

(27) Engine equipped with Tach, Hour Meter and MIL

Engine is without muffler

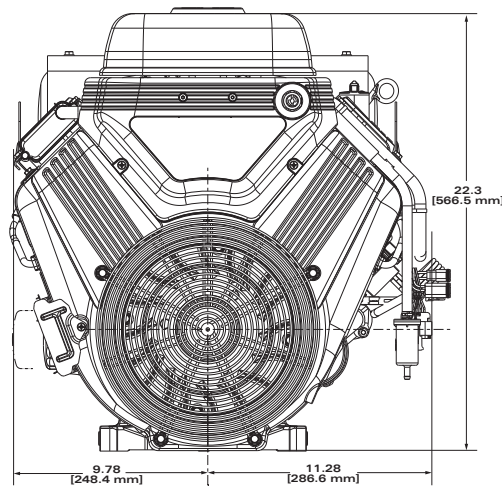
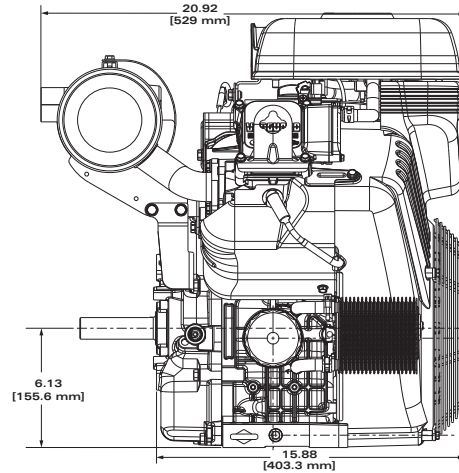
VANGUARD™ EFI 37.0 GROSS HP†

993 CC

Bore 3.42 in. (86.87 mm)

Stroke 3.46 in. (87.88 mm)

Oil Capacity 79 fl. oz. (2.34 L)



FEATURES:

Electronic Fuel Injection

Marine, weather resistant electrical connectors

Advanced Debris Management System allows the engine to run cleaner and cooler, which enhances durability and performance

Foam pre-cleaner traps large debris before it can clog the filter element and rob the engine of needed air

Industrial grade solenoid shift starter assures quick, reliable starts

Full-pressure oil lubrication system with spin-on filter works to keep oil cleaner, which reduces maintenance and extends engine life

Buyer protection package provides three-year commercial limited warranty**

MTT	Crankshaft #	P.T.O. Diameter	Drilled & Tapped	Keyway	Length	Controls	Remote Choke	Manual Choke	Cyclonic Air Filter	Flange Mtg.	Oil Cooler	Fuel Pump	Oil Pump with Filter	Key Stop Switch	Fuel Tank (Quarts)	Muffler	Top Governor Speed	Notes
61E477																		
0006-J1	842268	1-1/8 in.	7/16-20	1/4-Str.	3	ECU				X	X	X	X	X	--		4750	15,16,17
0007-J1	841839	1-1/8 in.	7/16-20	1/4-Str.	4	ECU				X	X	X	X	X	--		4750	15,16,17

†All power levels are stated gross horsepower at 3600 RPM per SAE J1940 as rated by Briggs & Stratton.

(15) Static Cover Installed

(16) EFI

(17) Engine equipped with 12 Volt Solenoid Shift Starter and 20/50 AMP DC Alternator

Engine is without muffler

California, U.S. EPA, and Briggs & Stratton Corporation Emissions Control Warranty Statement
Your Warranty Rights And Obligations
For Briggs & Stratton Engine Models with "F" Trim Designation
(Model-Type-Trim Representation xxxxxx xxxx Fx)

The California Air Resources Board, U.S. EPA, and Briggs & Stratton (B&S) are pleased to explain the emissions control system warranty on your 2015-2017 engine/equipment. In California, new small off-road engines and large spark ignited engines less than or equal to 1.0 liter must be designed, built, and equipped to meet the State's stringent anti-smog standards. B&S must warrant the emissions control system on your engine/equipment for the periods of time listed below provided there has been no abuse, neglect, or improper maintenance of your engine/equipment.

Your exhaust emissions control system may include parts such as the carburetor or fuel injection system, ignition system, and catalytic converter. Also included may be hoses, belts, connectors, sensors, and other emissions-related assemblies.

Your evaporative emission control system may include parts such as: carburetors, fuel tanks, fuel lines, fuel caps, valves, canisters, filters, vapor hoses, clamps, connectors, and other associated components.

Where a warrantable condition exists, B&S will repair your engine/equipment at no cost to you including diagnosis, parts, and labor.

Manufacturer's Warranty Coverage:

Small off-road engines and large spark ignited engines less than or equal to 1.0 liter, and any related emissions components of the equipment, are warranted for two years, or for the time period listed in the respective engine or product warranty statement, whichever is greater. If any emissions-related part on your B&S engine/equipment is defective, the part will be repaired or replaced by B&S.

Owner's Warranty Responsibilities:

- As the engine/equipment owner, you are responsible for the performance of the required maintenance listed in your Operator's Manual. B&S recommends that you retain all receipts covering maintenance on your engine/equipment, but B&S cannot deny warranty solely for the lack of receipts or your failure to ensure the performance of all scheduled maintenance.
- As the engine/equipment owner, you should however be aware that B&S may deny you warranty coverage if your engine/equipment or a part has failed due to abuse, neglect, improper maintenance, or unapproved modifications.
- You are responsible for presenting your engine/equipment to a B&S distribution center, servicing dealer, or other equivalent entity, as applicable, as soon as a problem exists. The warranty repairs should be completed in a reasonable amount of time, not to exceed 30 days. If you have any questions regarding your warranty rights and responsibilities, you should contact B&S at 1-800-444-7774 (in USA) or BRIGGSandSTRATTON.COM.

Briggs & Stratton Emissions Control Warranty Provisions

The following are specific provisions relative to your Emissions Control Warranty Coverage. It is in addition to the B&S engine warranty for non-regulated engines found in the Operator's Manual.

1. Warranted Emissions Parts

Coverage under this warranty extends only to the parts listed below (the emissions control systems parts) to the extent these parts were present on the B&S engine and/or B&S supplied fuel system.

a. Fuel Metering System

- Cold start enrichment system (soft choke)
- Carburetor or fuel injection system
- Oxygen sensor
- Electronic control unit
- Fuel pump module
- Fuel line, fuel line fittings, clamps
- Fuel tank, cap and tether
- Carbon canister

b. Air Induction System

- Air cleaner
- Intake manifold
- Purge and vent line

c. Ignition System

- Spark plug(s)
- Magneto ignition system

d. Catalyst System

- Catalytic converter
- Exhaust manifold
- Air injection system or pulse valve

e. Miscellaneous Items Used in Above Systems

- Vacuum, temperature, position, time sensitive valves and switches
- Connectors and assemblies

2. Length of Coverage

Coverage is for a period of two years from the date of original purchase, or for the time period listed in the respective engine or product warranty statement, whichever is greater. B&S warrants to the original purchaser and each subsequent purchaser that the engine is designed, built, and equipped so as to conform with all applicable regulations adopted by the Air Resources Board; that it is free from defects in material and workmanship that could cause the failure of a warranted

part; and that it is identical in all material respects to the engine described in the manufacturer's application for certification. The warranty period begins on the date the engine is originally purchased.

The warranty on emissions-related parts is as follows:

- Any warranted part that is not scheduled for replacement as required maintenance in the Operator's Manual supplied, is warranted for the warranty period stated above. If any such part fails during the period of warranty coverage, the part will be repaired or replaced by B&S at no charge to the owner. Any such part repaired or replaced under the warranty will be warranted for the remaining warranty period.
- Any warranted part that is scheduled only for regular inspection in the Operator's Manual supplied, is warranted for the warranty period stated above. Any such part repaired or replaced under warranty will be warranted for the remaining warranty period.
- Any warranted part that is scheduled for replacement as required maintenance in the Operator's Manual supplied, is warranted for the period of time prior to the first scheduled replacement point for that part. If the part fails prior to the first scheduled replacement, the part will be repaired or replaced by B&S at no charge to the owner. Any such part repaired or replaced under warranty will be warranted for the remainder of the period prior to the first scheduled replacement point for the part.
- Add-on or modified parts that are not exempted by the Air Resources Board may not be used. The use of any non-exempted add-on or modified parts by the owner will be grounds for disallowing a warranty claim. The manufacturer will not be liable to warrant failures of warranted parts caused by the use of a non-exempted add-on or modified part.

3. Consequential Coverage

Coverage shall extend to the failure of any engine components caused by the failure of any warranted emissions parts.

4. Claims and Coverage Exclusions

Warranty claims shall be filed according to the provisions of the B&S engine warranty policy. Warranty coverage does not apply to failures of emissions parts that are not original equipment B&S parts or to parts that fail due to abuse, neglect, or improper maintenance as set forth in the B&S engine warranty policy. B&S is not liable for warranty coverage of failures of emissions parts caused by the use of add-on or modified parts.

Look For Relevant Emissions Durability Period and Air Index Information
On Your Small Off-Road Engine Emissions Label

Engines that are certified to meet the California Air Resources Board (CARB) small off-road Emissions Standard must display information regarding the Emissions Durability Period and the Air Index. Briggs & Stratton makes this information available to the consumer on our emissions labels. The engine emissions label will indicate certification information.

The **Emissions Durability Period** describes the number of hours of actual running time for which the engine is certified to be emissions compliant, assuming proper maintenance in accordance with the Operator's Manual. The following categories are used:

Moderate:

Engines at or less than 80 cc displacement are certified to be emissions compliant for 50 hours of actual engine running time. Engines greater than 80 cc displacement are certified to be emissions compliant for 125 hours of actual engine running time.

Intermediate:

Engines at or less than 80 cc displacement are certified to be emissions compliant for 125 hours of actual engine running time. Engines greater than 80 cc displacement are certified to be emissions compliant for 250 hours of actual engine running time.

Extended:

Engines at or less than 80 cc displacement are certified to be emissions compliant for 300 hours of actual engine running time. Engines greater than 80 cc displacement are certified to be emissions compliant for 500 hours of actual engine running time.

For example, a typical walk-behind lawn mower is used 20 to 25 hours per year. Therefore, the **Emissions Durability Period** of an engine with an **intermediate** rating would equate to 10 to 12 years.

Briggs & Stratton engines are certified to meet the United States Environmental Protection Agency (USEPA) Phase 2 or Phase 3 emissions standards. The Emissions Compliance Period referred to on the Emissions Compliance label indicates the number of operating hours for which the engine has been shown to meet Federal emissions requirements.

For engines at or less than 80 cc displacement:
Category C = 50 hours, Category B = 125 hours, Category A = 300 hours

For engines greater than 80 cc displacement and less than 225 cc displacement:
Category C = 125 hours, Category B = 250 hours, Category A = 500 hours

For engines of 225 cc or more displacement:
Category C = 250 hours, Category B = 500 hours, Category A = 1000 hours

California, U.S. EPA, and Briggs & Stratton Corporation Emissions Control Warranty Statement

Your Warranty Rights And Obligations

For Briggs & Stratton Engine Models with "B" or "G" Trim Designation (Model-Type-Trim Representation xxxxxx xxxx Bx or xxxxxx xxxx Gx)

The California Air Resources Board, U.S. EPA, and Briggs & Stratton (B&S) are pleased to explain the emissions control system warranty on your 2015-2017 engine. In California, new small off-road engines and large spark ignited engines less than or equal to 1.0 liter must be designed, built, and equipped to meet the State's stringent anti-smog standards. B&S must warrant the emissions control system on your engine for the periods of time listed below provided there has been no abuse, neglect, or improper maintenance of your engine.

Your exhaust emissions control system may include parts such as the carburetor or fuel injection system, ignition system, and catalytic converter. Also included may be hoses, belts, connectors, sensors, and other emissions-related assemblies.

Where a warrantable condition exists, B&S will repair your engine at no cost to you including diagnosis, parts, and labor.

Manufacturer's Warranty Coverage:

Small off-road engines and large spark ignited engines less than or equal to 1.0 liter, are warranted for two years, or for the time period listed in the respective engine or product warranty statement, whichever is greater. If any emissions-related part on your B&S engine is defective, the part will be repaired or replaced by B&S.

Owner's Warranty Responsibilities:

- As the engine owner, you are responsible for the performance of the required maintenance listed in your Operator's Manual. B&S recommends that you retain all receipts covering maintenance on your engine, but B&S cannot deny warranty solely for the lack of receipts or your failure to ensure the performance of all scheduled maintenance.
- As the engine owner, you should however be aware that B&S may deny you warranty coverage if your engine or a part has failed due to abuse, neglect, improper maintenance, or unapproved modifications.
- You are responsible for presenting your engine to a B&S distribution center, servicing dealer, or other equivalent entity, as applicable, as soon as a problem exists. The warranty repairs should be completed in a reasonable amount of time, not to exceed 30 days. If you have any questions regarding your warranty rights and responsibilities, you should contact B&S at 1-800-444-7774 (in USA) or BRIGGSandSTRATTON.com.

Briggs & Stratton Emissions Control Warranty Provisions

The following are specific provisions relative to your Emissions Control Warranty Coverage. It is in addition to the B&S engine warranty for non-regulated engines found in the Operator's Manual.

1. Warranted Emissions Parts

Coverage under this warranty extends only to the parts listed below (the emissions control systems parts) to the extent these parts were present on the B&S engine.

a. Fuel Metering System

- Cold start enrichment system (soft choke)
- Carburetor or fuel injection system
- Oxygen sensor
- Electronic control unit
- Fuel pump module

b. Air Induction System

- Air cleaner
- Intake manifold

c. Ignition System

- Spark plug(s)
- Magneto ignition system

d. Catalyst System

- Catalytic converter
- Exhaust manifold
- Air injection system or pulse valve

e. Miscellaneous Items Used in Above Systems

- Vacuum, temperature, position, time sensitive valves and switches
- Connectors and assemblies

2. Length of Coverage

Coverage is for a period of two years from the date of original purchase, or for the time period listed in the respective engine or product warranty statement, whichever is greater. B&S warrants to the original purchaser and each subsequent purchaser that the engine is designed, built, and equipped so as to conform with all applicable regulations adopted by the Air Resources Board; that it is free from defects in material and workmanship that could cause the failure of a warranted part; and that it is identical in all material respects to the engine described in the manufacturer's application for certification. The warranty period begins on the date the engine is originally purchased.

The warranty on emissions-related parts is as follows:

- Any warranted part that is not scheduled for replacement as required maintenance in the Operator's Manual supplied, is warranted for the warranty period stated above. If any such part fails during the period of warranty coverage, the part will be repaired or replaced by B&S at no charge to the owner. Any such part repaired or replaced under the warranty will be warranted for the remaining warranty period.
- Any warranted part that is scheduled only for regular inspection in the Operator's Manual supplied, is warranted for the warranty period stated above. Any such part repaired or replaced under warranty will be warranted for the remaining warranty period.
- Any warranted part that is scheduled for replacement as required maintenance in the Operator's Manual supplied, is warranted for the period of time prior to the first scheduled replacement point for that part. If the part fails prior to the first scheduled replacement, the part will be repaired or replaced by B&S at no charge to the owner. Any such part repaired or replaced under warranty will be warranted for the remainder of the period prior to the first scheduled replacement point for the part.
- Add-on or modified parts that are not exempted by the Air Resources Board may not be used. The use of any non-exempted add-on or modified parts by the owner will be grounds for disallowing a warranty claim. The manufacturer will not be liable to warrant failures of warranted parts caused by the use of a non-exempted add-on or modified part.

3. Consequential Coverage

Coverage shall extend to the failure of any engine components caused by the failure of any warranted emissions parts.

4. Claims and Coverage Exclusions

Warranty claims shall be filed according to the provisions of the B&S engine warranty policy. Warranty coverage does not apply to failures of emissions parts that are not original equipment B&S parts or to parts that fail due to abuse, neglect, or improper maintenance as set forth in the B&S engine warranty policy. B&S is not liable for warranty coverage of failures of emissions parts caused by the use of add-on or modified parts.

Look For Relevant Emissions Durability Period and Air Index Information On Your Small Off-Road Engine Emissions Label

Engines that are certified to meet the California Air Resources Board (CARB) small off-road Emissions Standard must display information regarding the Emissions Durability Period and the Air Index. Briggs & Stratton makes this information available to the consumer on our emissions labels. The engine emissions label will indicate certification information.

The **Emissions Durability Period** describes the number of hours of actual running time for which the engine is certified to be emissions compliant, assuming proper maintenance in accordance with the Operator's Manual. The following categories are used:

Moderate:

Engines at or less than 80 cc displacement are certified to be emissions compliant for 50 hours of actual engine running time. Engines greater than 80 cc displacement are certified to be emissions compliant for 125 hours of actual engine running time.

Intermediate:

Engines at or less than 80 cc displacement are certified to be emissions compliant for 125 hours of actual engine running time. Engines greater than 80 cc displacement are certified to be emissions compliant for 250 hours of actual engine running time.

Extended:

Engines at or less than 80 cc displacement are certified to be emissions compliant for 300 hours of actual engine running time. Engines greater than 80 cc displacement are certified to be emissions compliant for 500 hours of actual engine running time.

For example, a typical walk-behind lawn mower is used 20 to 25 hours per year. Therefore, the **Emissions Durability Period** of an engine with an **intermediate** rating would equate to 10 to 12 years.

Briggs & Stratton engines are certified to meet the United States Environmental Protection Agency (USEPA) Phase 2 or Phase 3 emissions standards. The Emissions Compliance Period referred to on the Emissions Compliance label indicates the number of operating hours for which the engine has been shown to meet Federal emissions requirements.

For engines at or less than 80 cc displacement:

Category C = 50 hours, Category B = 125 hours, Category A = 300 hours

For engines greater than 80 cc displacement and less than 225 cc displacement:

Category C = 125 hours, Category B = 250 hours, Category A = 500 hours

For engines of 225 cc or more displacement:

Category C = 250 hours, Category B = 500 hours, Category A = 1000 hours

U.S. EPA, and Briggs & Stratton Corporation Emissions Control Warranty Statement Your Warranty Rights And Obligations For Briggs & Stratton Engine Models with "J" Trim Designation (Model-Type-Trim Representation xxxxxx xxxx Jx)

The U.S. EPA, and Briggs & Stratton (B&S) are pleased to explain the emissions control system warranty on your Model Year 2015-2017 engine. In the U.S., new small off-road engines and large spark ignited engines less than or equal to 1.0 liter must be designed, built, and equipped to meet stringent anti-smog standards. B&S must warrant the emissions control system on your engine for the periods of time listed below provided there has been no abuse, neglect, or improper maintenance of your engine.

Your exhaust emissions control system may include parts such as the carburetor or fuel injection system, ignition system, and catalytic converter. Also included may be hoses, belts, connectors, sensors, and other emissions-related assemblies.

Where a warrantable condition exists, B&S will repair your engine at no cost to you including diagnosis, parts, and labor.

Manufacturer's Warranty Coverage:

Small off-road engines and large spark ignited engines less than or equal to 1.0 liter, are warranted for two years, or for the time period listed in the respective engine or product warranty statement, whichever is greater. If any emissions-related part on your B&S engine is defective, the part will be repaired or replaced by B&S.

Owner's Warranty Responsibilities:

- As the engine owner, you are responsible for the performance of the required maintenance listed in your Operator's Manual. B&S recommends that you retain all receipts covering maintenance on your engine, but B&S cannot deny warranty solely for the lack of receipts or your failure to ensure the performance of all scheduled maintenance.
- As the engine owner, you should however be aware that B&S may deny you warranty coverage if your engine or a part has failed due to abuse, neglect, improper maintenance, or unapproved modifications.
- You are responsible for presenting your engine to a B&S distribution center, servicing dealer, or other equivalent entity, as applicable, as soon as a problem exists. The warranty repairs should be completed in a reasonable amount of time, not to exceed 30 days. If you have any questions regarding your warranty rights and responsibilities, you should contact B&S at 1-800-444-7774 (in USA) or BRIGGSandSTRATTON.com.

Briggs & Stratton Emissions Control Warranty Provisions

The following are specific provisions relative to your Emissions Control Warranty Coverage. It is in addition to the B&S engine warranty for non-regulated engines found in the Operator's Manual.

1. Warranted Emissions Parts

Coverage under this warranty extends only to the parts listed below (the emissions control systems parts) to the extent these parts were present on the B&S engine.

a. Fuel Metering System

- Cold start enrichment system (soft choke)
- Carburetor or fuel injection system
- Oxygen sensor
- Electronic control unit
- Fuel pump module

b. Air Induction System

- Air cleaner
- Intake manifold

c. Ignition System

- Spark plug(s)
- Magneto ignition system

d. Catalyst System

- Catalytic converter
- Exhaust manifold
- Air injection system or pulse valve

e. Miscellaneous Items Used in Above Systems

- Vacuum, temperature, position, time sensitive valves and switches
- Connectors and assemblies

2. Length of Coverage

Coverage is for a period of two years from the date of original purchase, or for the period listed in the respective engine or product warranty statement, whichever is greater. B&S warrants to the original purchaser and each subsequent purchaser that the engine is designed, built, and equipped so as to conform with all applicable regulations under Section 213 of the Clean Air Act that is free from defects in material and workmanship that could cause the failure of a warranted part; and that is identical in all material respects to the engine described in the manufacturer's application for certification. The warranty period begins on the date the engine is originally purchased.

The warranty on emissions-related parts is as follows:

- Any warranted part that is not scheduled for replacement as required maintenance in the Operator's Manual supplied, is warranted for the warranty period stated above. If any such part fails during the period of warranty coverage, the part will be repaired or replaced by B&S at no charge to the owner. Any such part repaired or replaced under the warranty will be warranted for the remaining warranty period.
- Any warranted part that is scheduled only for regular inspection in the Operator's Manual supplied, is warranted for the warranty period stated above. Any such part repaired or replaced under warranty will be warranted for the remaining warranty period.
- Any warranted part that is scheduled for replacement as required maintenance in the Operator's Manual supplied, is warranted for the period of time prior to the first scheduled replacement point for that part. If the part fails prior to the first scheduled replacement, the part will be repaired or replaced by B&S at no charge to the owner. Any such part repaired or replaced under warranty will be warranted for the remainder of the period prior to the first scheduled replacement point for the part.
- Add-on or modified parts that are not exempted by the U.S. EPA may not be used. The use of any non-exempted add-on or modified parts by the owner will be grounds for disallowing a warranty claim. The manufacturer will not be liable to warrant failures of warranted parts caused by the use of a non-exempted add-on or modified part.

3. Consequential Coverage

Coverage shall extend to the failure of any engine components caused by the failure of any warranted emissions parts.

4. Claims and Coverage Exclusions

Warranty claims shall be filed according to the provisions of the B&S engine warranty policy. Warranty coverage does not apply to failures of emissions parts that are not original equipment B&S parts or to parts that fail due to abuse, neglect, or improper maintenance as set forth in the B&S engine warranty policy. B&S is not liable for warranty coverage of failures of emissions parts caused by the use of add-on or modified parts.

Look For Relevant Emissions Durability Period and Air Index Information On Your Small Off-Road Engine Emissions Label

Briggs & Stratton engines are certified to meet the United States Environmental Protection Agency (USEPA) Phase 3 emissions standards. The Emissions Compliance Period referred to on the Emissions Compliance label indicates the number of operating hours for which the engine has been shown to meet Federal emissions requirements.

For engines at or less than 80 cc displacement:

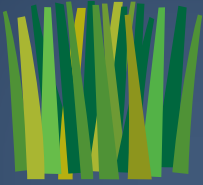
Category C = 50 hours, Category B = 125 hours, Category A = 300 hours

For engines greater than 80 cc displacement and less than 225 cc displacement:

Category C = 125 hours, Category B = 250 hours, Category A = 500 hours

For engines of 225 cc or more displacement:

Category C = 250 hours, Category B = 500 hours, Category A = 1000 hours



down to earth

A Briggs & Stratton Commitment

THE POWER WITHIN: ENVIRONMENTAL STEWARDSHIP

For over 107 years, Briggs & Stratton has been built on dedication, hard work, and a vision for turning possibilities into reality. From designing the first lightweight, aluminum engine that transformed the lawn and garden industry to becoming the world's largest producer of gasoline engines for outdoor power equipment, we focused on creating better and more innovative products. Today, we are building on this legacy through our strong commitment to sustainability both in our products and people. This is seen through our drive to improve the efficiency of our operations, reducing our environmental impacts globally, strengthening the communities that we serve and valuing the employees who fuel our success.

Consider this:

- Briggs & Stratton® engines manufactured in 2012 will emit up to 75 percent less exhaust emissions than those sold in 1995. In addition, since 2005, evaporative emissions have been reduced by 73 percent
 - In 2007, we signed a pledge with the Department of Energy to reduce our energy intensity by 25 percent over 10 years. In just 5 years, we have cut energy use by 135 million kilowatt hours, a 9 percent reduction in our energy intensity
 - In 2011, we recycled over 40,000 tons of materials from our facilities, and sent less than 12 percent of our byproducts to landfill.
- Over five years, from 2006 to 2011, we implemented a number of water conservation projects that reduced consumption by our U.S. facilities by 22%.
 - In 2011, we completed one of the first life cycle assessments in our industry to determine the full environmental impact throughout all stages of a lawn mower's life cycle.
 - We partner with organizations such as the American Red Cross and Haiti Partners to deliver power products to aid in relief efforts for communities impacted by natural disasters.
 - Winner of a Top Workplace Award in 2011 and 2012 from the Milwaukee Journal Sentinel, evidence of the investment we make in our employees, our greatest asset.
 - Honored with a Better Business Bureau Torch Award for Business Ethics in 2012.

These are only a few examples that demonstrate our commitment to sustainability. An engaged workforce, committed leadership and dedicated resources will fuel our future sustainability efforts and our vision to become a global leader in supplying innovative power solutions. At Briggs & Stratton, that's our commitment to you.

To learn more, please visit www.basco.com/sustainability

SERVICE CENTER LOCATOR:

1.800.233.3723

ThePowerPortal.com (dealers) • BRIGGSandSTRATTON.COM (consumers)

Printed in U.S.A.



MS-5568-3/16

BRIGGS&STRATTON
CORPORATION

POST OFFICE BOX 702
MILWAUKEE, WI 53201 USA
414 259 5333
Copyright ©2016. All rights reserved.



YOU. POWERED.